



MAIN CHARACTERISTICS

- Measurement of Conductivity
- Measuring of Temperature using the PT100/PT1000 or NTC (Optional) probe
- Automatic Compensation of Temperature
- Programming key pad with 4 keys
- "CAL" Function Key to direct access to the calibration menu
- "GRAPH" Function Key to direct access to the graphs of measure
- LCD Graphic display 128x64 with background illumination
- Internal Data Logger (flash 4 Mbit) with the possibility of graphic and table visualisation of measurement trends
- 1 RS485 Serial outlet
- 1 Programmable Analogical Outlet
- 2 Relay Outlets for intervention thresholds
- 1 Relay Outlet for Instrument Anomaly Alarm or Temperature Set Point
- 1 Relay Outlet for Probe Washing or Temperature Set Point
- 1 Digital Entrance for disabling of doses

➤ **Main hardware characteristics of the electronic device**

The hardware structure of this periphery is based on the adoption of extremely new CPU CMOS with 16 bits developed specifically for the execution of the so-called "embedded" applications.

The card uses an EEPROM to store the Set-up data and flash memories for storage of the archives of historical data and LOG files of events.

The Card has 1 RS485 gate (opto-isolated) for local networks used for connections with local communication devices (configuration computer, terminals and remote controls etc).

The card integrates a Real Time Clock (clock with date) that allows the software to storage figures in a chronological order.

➤ **The device is built with IP66 protection panel.**

Characteristics of the measure

Measurement Ranges / Resolution / Accuracy	Conductivity: 00.00 ÷ 20.00 / 000.0 ÷ 200.0 / 0 ÷ 2000 µS – 00.00÷20.00mS (K1) Resolution ± 0.01/± 0.1/± µS ± 0.01mS Accuracy: ± 1% f.s. Temperature: 0.00 ÷ +50,0°C Resolution:± 0,1°C Accuracy: ± 1% f.s.
Temperature Compensation	Via NTC sensor integrated in the conductivity probe
Visualization	Simultaneous values of the Conductivity measure: numeric + bargraph. Temperature values and analogue outputs values in scrolling. Graphic icons showing: digital outputs' state, data storage, washing cycle, alarms

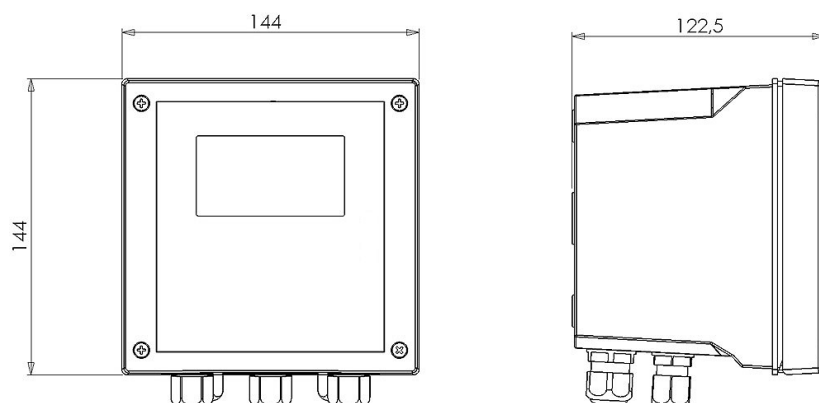
Software features and functions

Data storage	Internal Flash 4Mbit Memory (near to 16000 records). Records interval: 01:00 ÷ 99:99 min Type: Circular (F.I.F.O.) or Filling Possibility of visualization of the stored data in tabular and graphic form, with indication of maximum, minimum and average values of the selected period. Zoom function
1 Analogue Output	Output programmable for Conductivity Output limits freely programmable between measuring ranges.
2 Active Digital Outputs	Set Point ON – OFF : working range setting (Hysteresys / direction) and pause/working time setting: 000 ÷ 999 Seconds
Alarm digital output	Reporting: Instrumental anomalies, minimum, maximum, set point's delay, permanence time (live check) Delay time: 00:00 ÷ 59:99mm:ss at minimum steps of 15sec Permanence time: 00:00 ÷ 99:99 hh:mm Set Point disableing (in case of alarm): Enable / Disable Relays functioning: Closed / Open
Digital output for electrode washing	Programming of the time leg Frequency: 00:00 ÷ 24:00 hh:mm minimum time leg: 15 min During the washing phase, all digital and analogue outputs are frozen
Digital input	To disable dosages or activate washing cycle
RS485 Serial output	For set-up and real-time data acquisition from remote or for stored data download (using a dedicate-SW) .
Manual controls	Possibility to simulate all the analogue and digital outputs using the keyboard

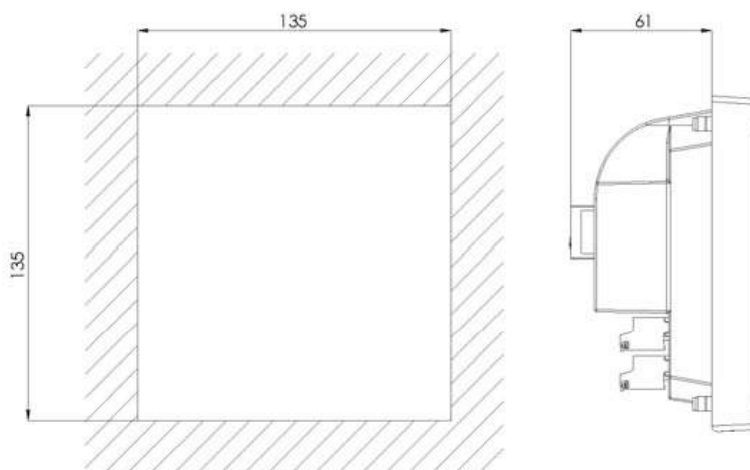
Hardware Features

Visualization	LCD graphic backlit Display STN 128x64
Programming	4 bubble-Keys keyboard
Data Logger	Flash 4Mbit Memory (near to 16000 records). 0 / 4.00 ÷ 20.00 mA
Analogue Output	Galvanic separation: 1KV Optoisolator Maximum load 500 Ohm Second Alarm output: NAMUR 2.4 mA (with 4/20mA Range)
Digital Outputs	Switching Relays Max resistive load 3A a 230Vac
Digital Input	Active and already supplied Possibility to link with a 3 wires - inductive sensor
Serial Output	RS485 with 1200-38400 Baud Rate programmable speed
Operating conditions	Operating temperature 0÷50°C Storage and transport -25÷65°C Humidity 10-95% (non-condensing)
Power Supply/ Electrical protections	Power supply 90÷260Vac/dc 50-60Hz – (Optional 24Vac/dc) – Transformer isolation4KV – Absorbing average < 6W – Electrical Protection: EMI / RFI CEI-EN55011 – 05/99

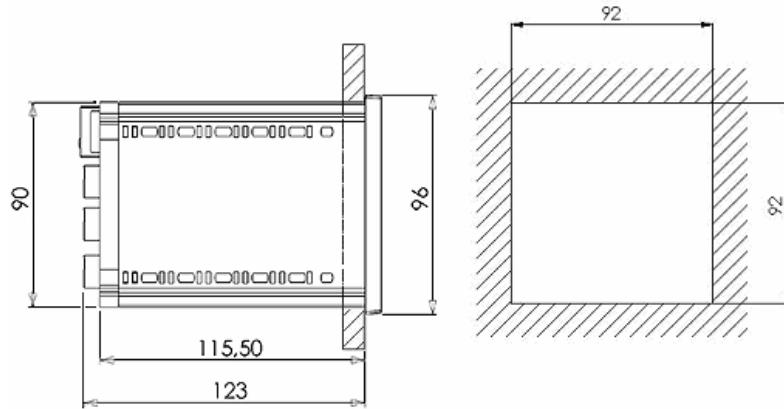
➤ **Mechanical dimensions**



Mechanical Dimensions	3522 Wall IP66
Dimensions (L x H x P)	144x144x122,5mm
Mounting thickness	122,5mm
Material	Grey ABS RAL 7045
Mounting	Wall
Weight	1 Kg
Front Panel	UV resistant Polycarbonate

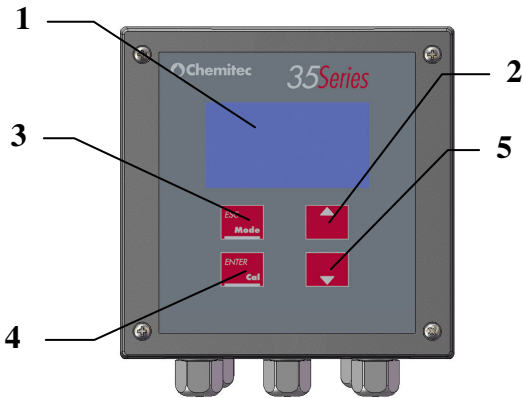


Mechanical Dimensions	3522 Panel 144x144
Dimensions (L x H x P)	144x144x86,5mm
Mounting thickness	61mm
Material	Grey ABS RAL 7045
Mounting	Panel
Weight	0,7 Kg
Front Panel	UV resistant Polycarbonate

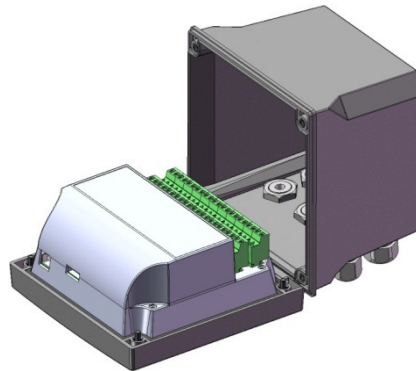


Mechanical Dimensions	3522 Panel 96x96
Dimensions (L x H x P)	96x96x115,5mm
Mounting thickness	130mm
Material	Black ABS
Mounting	Panel
Weight	0.7 Kg
Front Panel	UV resistant Polycarbonate

➤ **Controls, indicators and connections**



Front panel, wall mounting version



Access to terminal box

1. LCD Display
2. UP
3. ESC
4. ENTER
5. DOWN