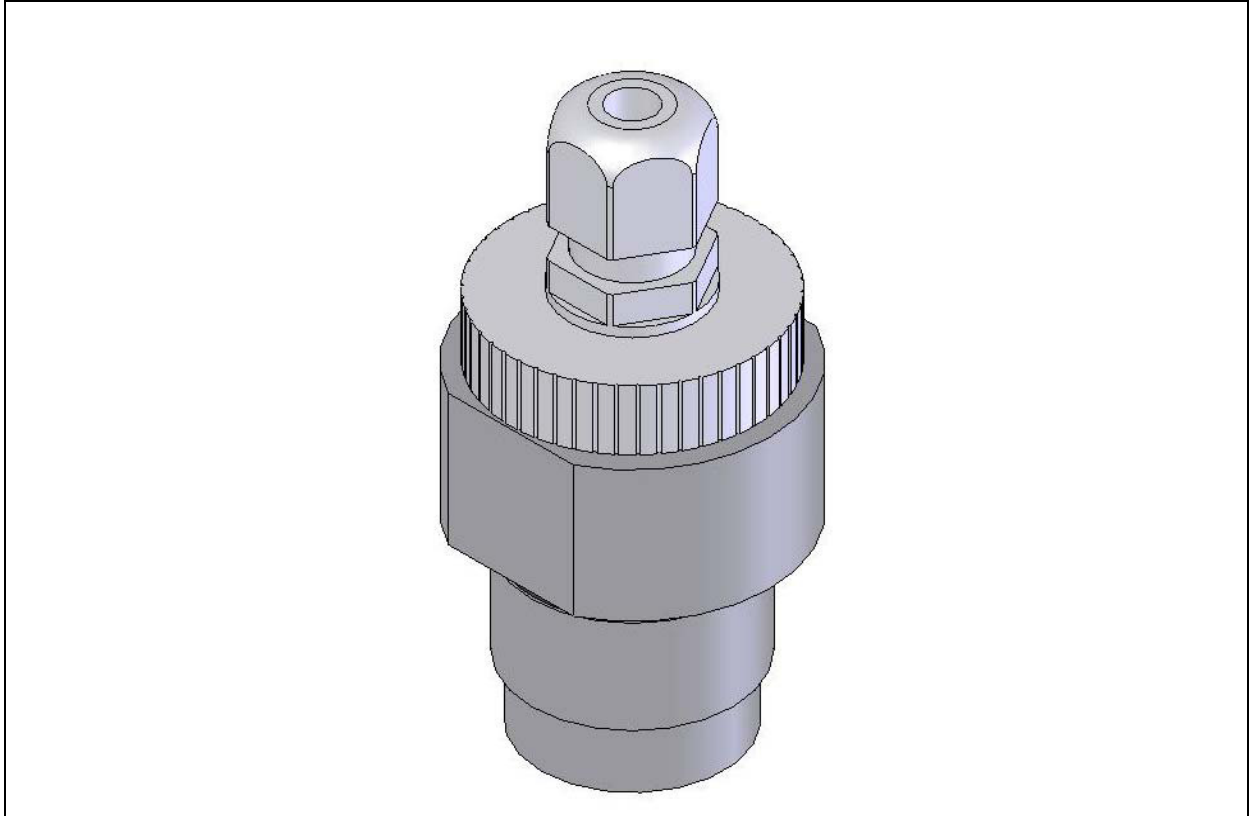


S411S PVC CONDUCTIVITY CELL



TECHNICAL DATA	DIMENSIONS
<p>Materials :</p> <ul style="list-style-type: none"> — PVC Body — PVC Cap — Stainless steel Electrodes — O-Ring BNC <p>Thread: 1" GAS</p> <p>Max working temperature: 50 °C</p> <p>Max working pressure: 2 bar</p> <p>Measuring range: 0 – 2000 μS (K=1)</p> <p>Cod. 6100011100 S411S CONDUCTIVITY CELL</p>	