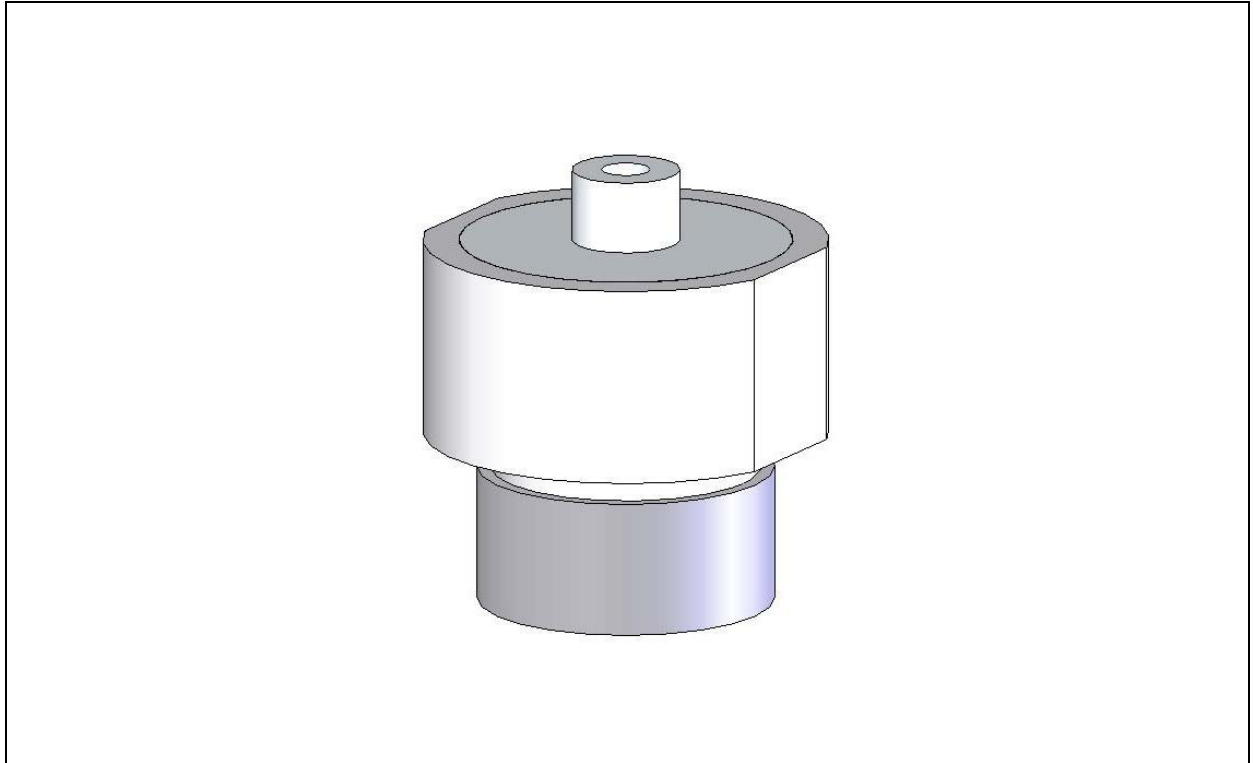


S411/TEF PTFE CONDUCTIVITY CELL



TECHNICAL DATA	DIMENSIONS
<p>Materials :</p> <ul style="list-style-type: none"> — PTFE (Teflon) Body — PTFE (Teflon) Cap — Stainless steel Electrodes — O-Ring BNC <p>Thread: 1" GAS</p> <p>Max working temperature: 100°C</p> <p>Max working pressure: 2 bar</p> <p>Measuring range: 0 – 20000 μS (K=1)</p> <p>Cod. 6100010340 S411/TEF CONDUCTIVITY CELL</p> <p>Cod. 6100010342 S411/TEF PT100 THERM. CONDUCTIVITY CELL</p>	