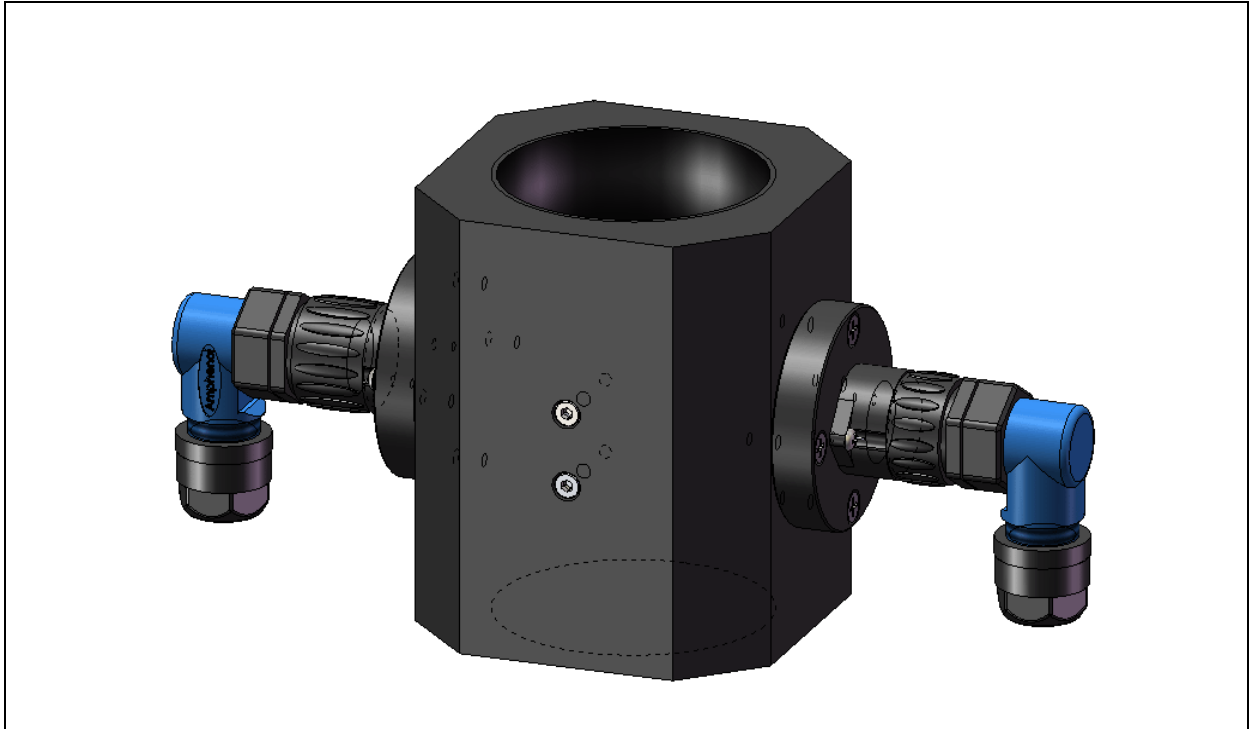
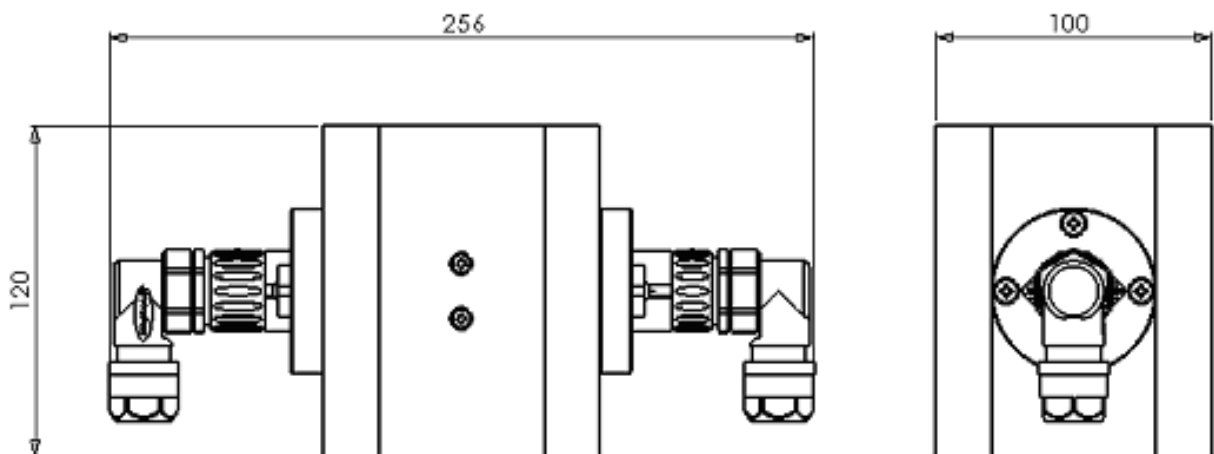


S462/PVC TURBIDIMETRIC CELL WITH PVC BODY

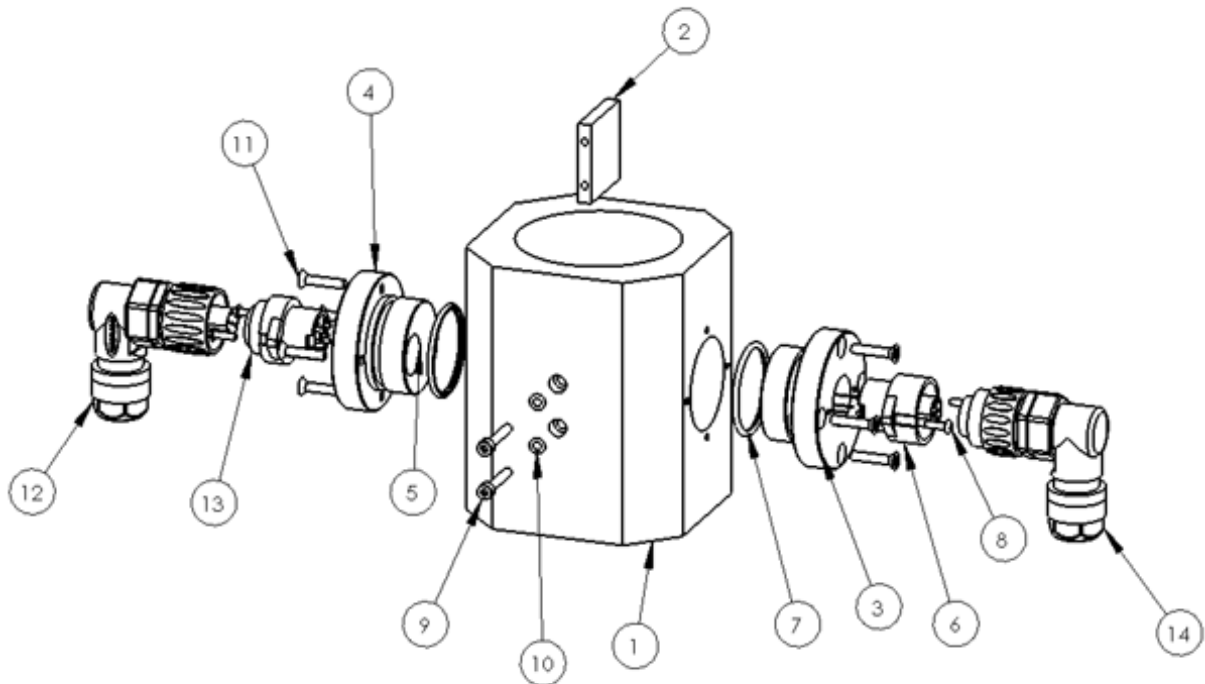


DIMENSIONS AND TECHNICAL DATA



Material: PVC body and flanges
Projector and photosensors set at 180° on the flanges
Maximum operating temperature: 60° C
Resolution: $\pm 0,2$ NTU
Maximum operating pressure: 6 Bar
Input and output threads: 2"½ GAS

Instructions



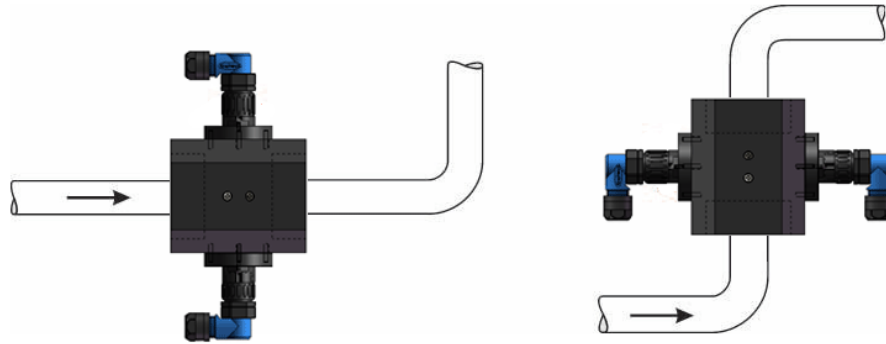
Component's description:

See quantities in parenthesis

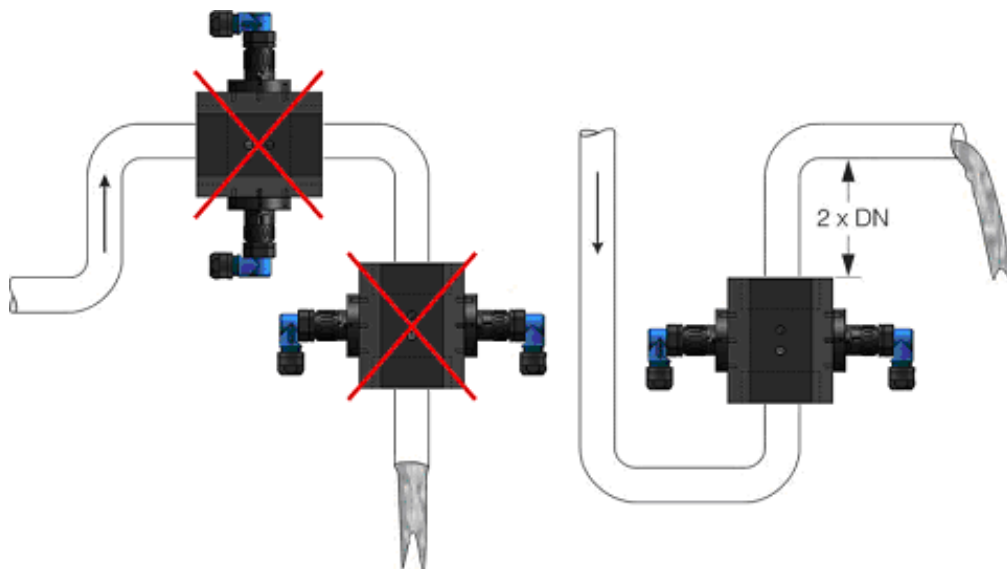
- | | |
|---|--|
| 1) S462 PVC body | 9) Hex socket M4x25 inox screw (2) |
| 2) S462 PVC shutter | 10) O-ring 2015 viton (2) |
| 3) Photoreceivers' case for S462 PVC cell | 11) Flat head M4x20 inox screw (8) |
| 4) Projector's case for S462 PVC cell | 12) 7-pole female cable-mounted connector at 90° |
| 5) Glass for S462 PVC cell (3) | 13) 7-pole male panel-connector |
| 6) 7-pole female panel-connector | 14) 7-pole male cable-mounted connector at 90° |
| 7) O-ring 3143 (2) | |
| 8) Button head M3x10 inox screw (4) | |

Precautions for installation

The installation could be horizontal or vertical, observing the following precautions:



The installation won't be made so that the cell can be empty as a result of a discharge. For a proper installation, always verify that the pipe is full.



The cell should not be installed as shown in the figure below on the left, to avoid air accumulations or bubbles. The proper installation is shown in the picture below, on the right.

