



MULTIBOX 25

Made of hot-pressed glassfibre reinforced polyester (GRP)
 Two-part construction, equipment can be installed in either the shallow or deep part.
 Stackable design for space saving storage and transport
 Low flammability and self-extinguishing
 4 mounting elements in stainless steel

- Colour: light grey, RAL 7032
- UV-resistant
- Protection class IP65
- EPDM seal
- Weight approx. 6kg

For further technical details see data sheet [KD015](#)

Dimensions Height Width Depth
 in mm (approx.) 485 x 385 x 240

Heat transition Coefficient K	without window	with window
Standard	2,5 W/K	2,9 W/K
arctic.....	0,9 W/K	1,3 W/K

Designs (Locking-type see data sheet [KD152](#))

- SV** 4 clasps in stainless steel
- SE** 2 hinges and 2 clasps in stainless steel, with angle for optional padlock

Lid Propstay (only design SE)

- DF** in galvanized steel } 1 pcs.
- DFVA** in stainless steel } 2 pcs.

Window (see data sheet [KD153](#) and [KD154](#))

- FA** acrylic glass window } mounted in
- FS** safety glass window } TE
- STA** hinged door of acrylic glass } TU

arctic additional Insulation

- PU-foam, not stackable
- arctic-PP** Polypropylene-lining
- arctic-Alu** Alu-foil-lining

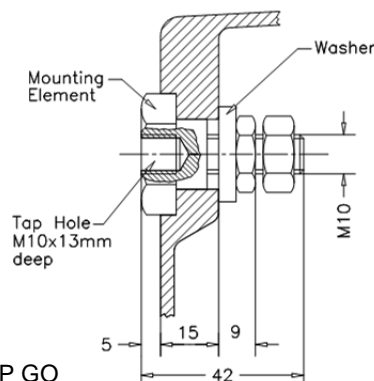
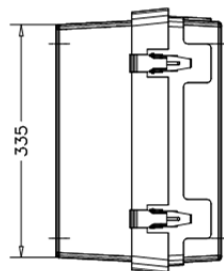
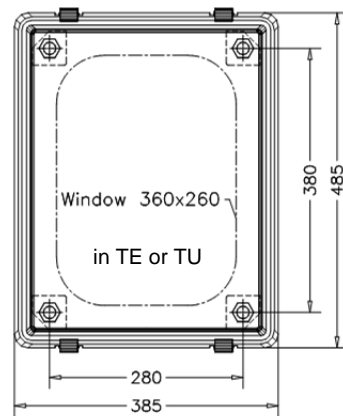
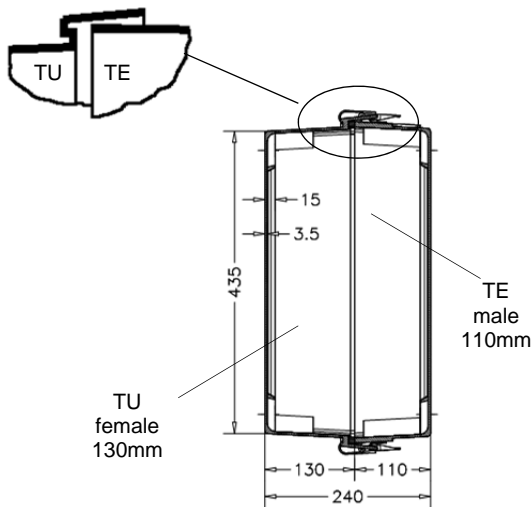
Explosion Protection

- GO** antistatic to avoid electrostatic charges according to DIN EN IEC 60079-0
- Ex p** preparation for pressurization according to DIN EN IEC 60079-2

Protection Class

- IP66** **IP67** **IP68**
- CSA Enclosure Type 4X (NEMA 4X)**

Vents and Drains (see data sheet [KD184](#))



Ordering example.: MULTIBOX 25 SE DFVA FS TU arctic-PP GO