



# MULTIBOX 48

Made of hot-pressed glassfibre reinforced polyester (GRP)  
 Two-part construction, equipment can be installed in either the shallow or deep part.  
 Stackable design for space saving storage and transport  
 Low flammability and self-extinguishing  
 4 mounting elements in stainless steel

- Colour: light grey, RAL 7032
- Protection class IP65
- Weight approx. 7kg
- UV-resistant
- EPDM seal

For further technical details see data sheet [KD015](#)

Dimensions in mm (approx.)      Height 485      Width 385      Depth 380

Heat transition Coefficient K	without window	with window
Standard	4,4 W/K	4,9 W/K
arctic.....	1,2 W/K	1,6 W/K

**Designs** (locking-type see data see [KD152](#))

- SV** 4 clasps in stainless steel
- SE** 2 hinges and 2 clasps in stainless steel, with angle for optional padlock

### Lid Propstay (only design SE)

- DF** in galvanized steel }  1 pcs.
- DFVA** in stainless steel }  2 pcs.

### Window (see data sheet [KD153](#) and [KD154](#))

- FA** acrylic glass window
  - FS** safety glass window
  - STA** hinged door of acrylic glass
- } mounted in  **TE**  **TU**

### arctic additional Insulation

PU-foam, not stackable

- arctic-PP** Polypropylene-lining
- arctic-Alu** Alu-foil-lining

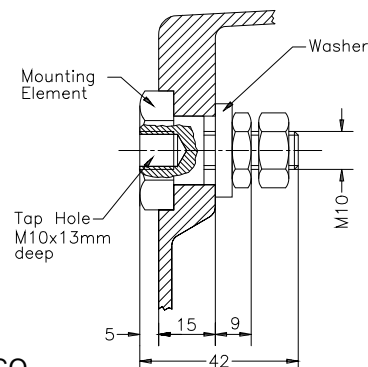
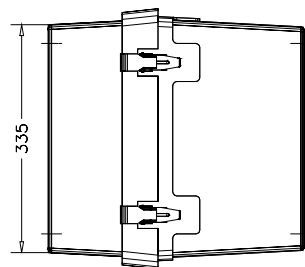
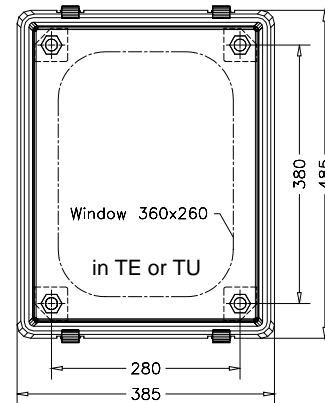
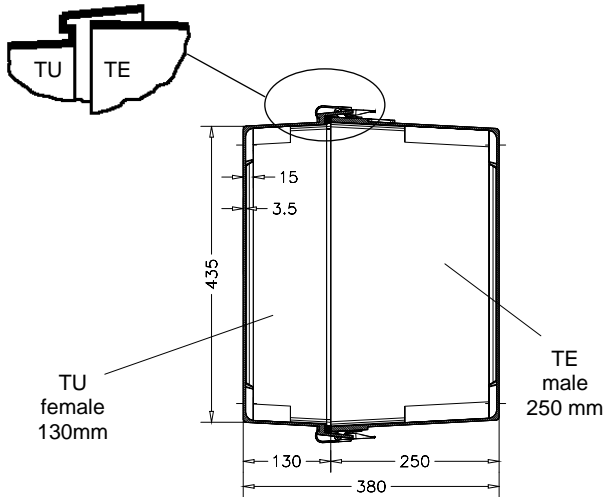
### Explosion Protection

- GO** antistatic to avoid electrostatic charges according to DIN EN IEC 60079-0
- Ex p** preparation for pressurization according to DIN EN IEC 60079-2

### Protection Class

- IP66**       **IP67**       **IP68**
- CSA Enclosure Type 4X (NEMA 4X)**

### Vents and Drains (see data sheet [KD184](#))



**Ordering example:** MULTIBOX 48 SE DFVA FS TU arctic-PP GO