



# MULTIBOX 70

Made of hot-pressed glassfibre reinforced polyester (GRP)  
 Two-part construction, equipment can be installed in either the shallow or deep part.  
 Stackable design for space saving storage and transport  
 Low flammability and self-extinguishing  
 4 mounting elements in stainless steel

- Colour: light grey, RAL 7032
- EPDM seal
- Weight approx. 8,5kg
- UV- resistant
- Protection class IP65

For further technical details see data sheet [KD015](#)

Dimensions      Height      Width      Depth  
 in mm (approx.)    640      x    440      x    340

Heat transition coefficient K	without window	with window
Standard	5,4 W/K	6,0 W/K
arctic.....	1,7 W/K	2,3 W/K

**Designs** (Locking-type see data sheet [KD152](#))

- SV** 4 clasps in stainless steel
- SE** 2 hinges and 2 clasps in stainless steel, with angle for optional padlock

**Lid Propstay** (only design SE)

- DF** in galvanized steel
  - DFVA** in stainless steel
  - DFGF** gas compression spring
- }  1 pcs.  
 }  2 pcs.

**Window** (see data sheet [KD153](#) and [KD154](#))

- FA** acrylic glass window
  - FS** safety glass window
  - STA** hinged door of acrylic glass
- } mounted in  
 }  TE  
 }  TU

**arctic additional Insulation**

- PU-foam, not stackable
- arctic-PP** Polypropylene-lining
- arctic-Alu** Alu-foil-lining

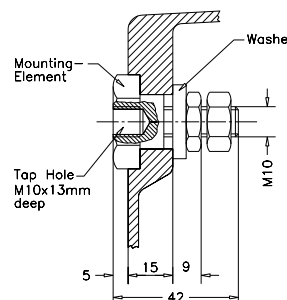
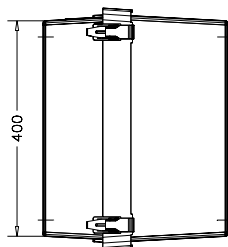
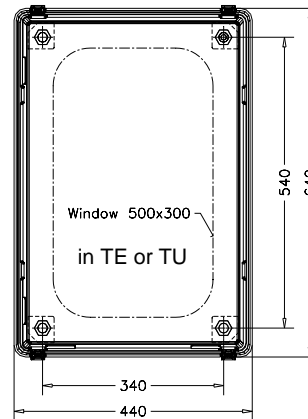
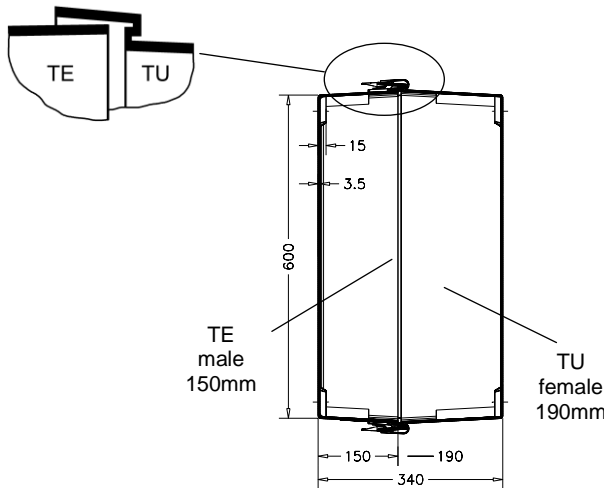
**Explosion Protection**

- GO** antistatic to avoid electrostatic charges according to DIN EN IEC 60079-0
- Ex p** preparation for pressurization according to DIN EN IEC 60079-2

**Protection Class**

- IP66**       **IP67**       **IP68**
- CSA Enclosure Type 4X (NEMA 4X)**

**Vents and Drains** (see data sheet [KD184](#))



Ordering example: MULTIBOX 70 SE DFVA FS TU arctic-PP GO