



# MULTIBOX 80

Made of hot-pressed glassfibre reinforced polyester (GfP)  
 Two-part construction, equipment can be installed in either the shallow or deep part.  
 Stackable design for space saving storage and transport  
 Low flammability and self-extinguishing  
 4 mounting elements in stainless steel

- Colour: light grey, RAL 7032
- Protection class IP65
- Weight approx. 9,5kg
- UV- resistant
- EPDM seal

For further technical details see data sheet [KD015](#)

Dimensions      Height      Width      Depth  
 in mm (approx.)    750    x    520    x    250

Heat transition coefficient K	without window	with window
Standard	6,5 W/K	7,2 W/K
arctic.....	1,8 W/K	2,5 W/K

**Designs** (Locking-type see data sheet [KD152](#))

- SV** 4 clasps in stainless steel
- SE** 2 hinges and 2 clasps in stainless steel, with angle for optional padlock

**Lid Propstay** (only design SE)

- DF** in galvanized steel }  1 pcs.
- DFVA** in stainless steel }  2 pcs.
- DFGF** gas compression spring

**Window** (see data sheet [KD153](#) and [KD154](#))

- FA** acrylic glass window } mounted in
- FS** safety glass window }  TE
- STA** hinged door of acrylic glass }  TU

**arctic additional Insulation**

- PU-foam, not stackable
- arctic-PP** Polypropylene-lining
- arctic-Alu** Alu-foil-lining

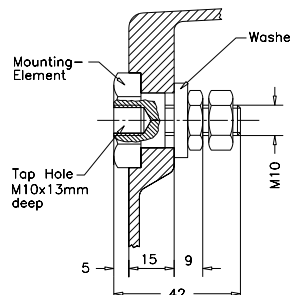
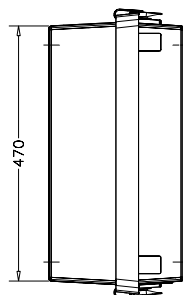
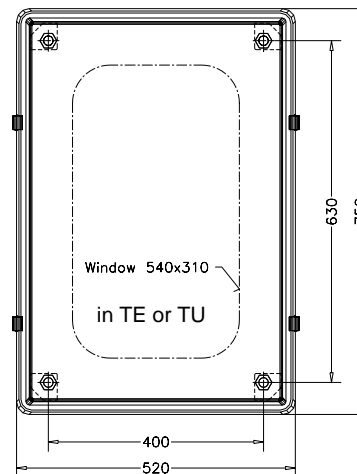
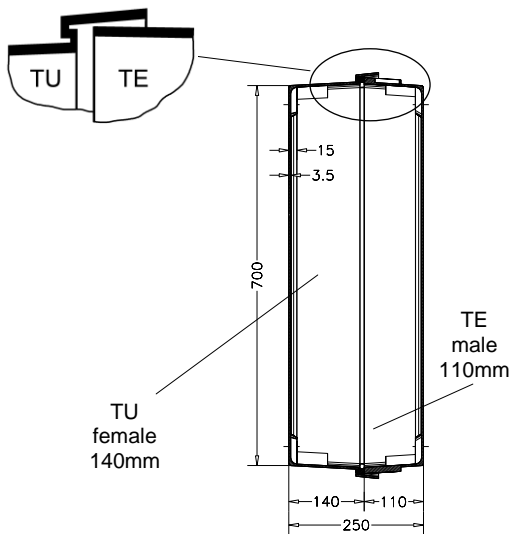
**Explosion Protection**

- GO** antistatic to avoid electrostatic charges according to DIN EN IEC 60079-0
- Ex p** preparation for pressurization according to DIN EN IEC 60079-2

**Protection Class**

- IP66**       **IP67**       **IP68**
- CSA Enclosure Type 4X (NEMA 4X)**

**Vents and Drains** (see data sheet [KD184](#))



Ordering example: MULTIBOX 80 SE DFVA FS TU arctic-PP GO