



MULTIBOX 100

Made of hot-pressed glassfibre reinforced polyester (GRP)
Two-part construction, so that equipment can be installed in either the shallow or the deep part.
Stackable design for space saving storage and transport
Low flammability and self-extinguishing
4 mounting elements in 316 stainless steel

- Color: light gray, RAL 7032
- UV-resistant
- Protection class IP65
- EPDM seal
- Weight approx. 18.7lbs, 9,5kg

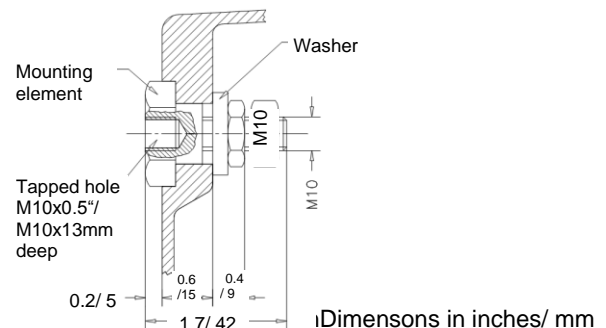
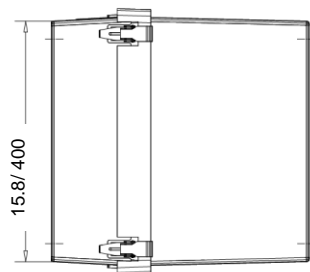
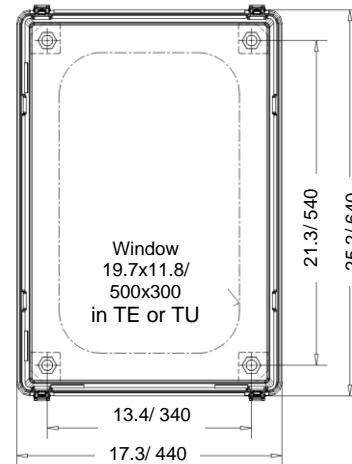
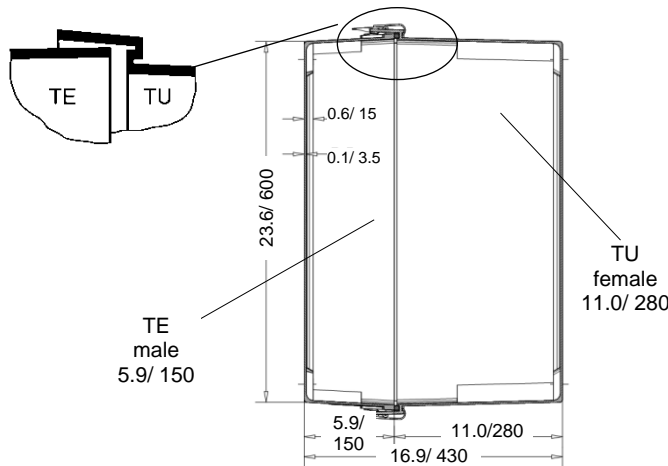
For further technical details see data sheet [KD015](#)

Dimensions	Height	Width	Depth
in inch (approx.)	25.2"	x 17.3"	x 16.9"
in mm (approx.)	640	x 440	x 430

Heat transition coefficient K	without window	with window
Standard	6.8 W/K	7.4 W/K
arctic.....	1.9 W/K	2.5 W/K

Designs (Locking-type see data sheet [KD152](#))

- SV** 4 latches in 316 stainless steel
- SE** 2 hinges and 2 latches in 316 stainless steel, with angle for padlock



Lid Propstay (only design SE)

- LP** in plated steel } 1 pcs.
- LPSS** in stainless steel } 2 pcs
- LPGF** gas compression spring

Window (see data sheet [KD153](#) and [KD154](#))

- FA** acrylic glass window } mounted in
- FS** safety glass window } TE
- STA** hinged door of acrylic glass } TU

arctic additional Insulation

- PU foam, not stackable
- arctic-PP** Polypropylene-lining
- arctic-Alu** Alu-foil-lining

Explosion Protection

- GO** antistatic to avoid electrostatic charges according to DIN EN IEC 60079-0
- Ex p** preparation for pressurization according to DIN EN IEC 60079-2

Protection Class

- IP66**
- CSA Enclosure Type 4X (NEMA 4X)**

Vents and Drains (see data sheet [KD184](#))

Ordering example: MULTIBOX 100 SE LPSS FS TU arctic-PP GO