



MULTIBOX 150

Made of hot-pressed glassfibre reinforced polyester (GfP)
 Two-part construction, equipment can be installed in either the shallow or deep part.
 Stackable design for space saving storage and transport
 Low flammability and self-extinguishing
 4 mounting elements in stainless steel

- Colour: light grey, RAL 7032
- Protection class IP65
- Weight approx. 12kg
- UV- resistant
- EPDM seal

For further technical details see data sheet [KD015](#)

Dimensions Heigth Width Depth
 in mm (approx.) 750 x 520 x 430

Heat transition coefficient K	without window	with window
Standard	8,5 W/K	9,2 W/K
arctic.....	2,3 W/K	3,0 W/K

Designs (Locking-type see data sheet [KD152](#))

- SV** 4 clasps in stainless steel
- SE** 2 hinges and 2 clasps in stainless steel, with angle for optional padlock

Lid Propstay (only design SE)

- DF** in galvanized steel } 1 pcs.
- DFVA** in stainless steel
- DFGF** gas compression spring } 2 pcs.

Window (see data sheet [KD153](#) and [KD154](#))

- FA** acrylic glass window
 - FS** safety glass window
 - STA** hinged door of acrylic glass
- } mounted in
 TE
 TU

arctic additional Insulation

PU-foam, not stackable

- arctic-PP** Polypropylene-lining
- arctic-Alu** PU-foam, Alu-foil-lining

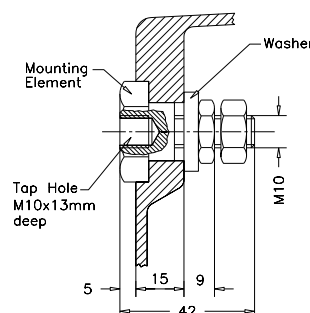
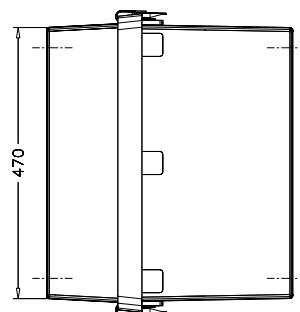
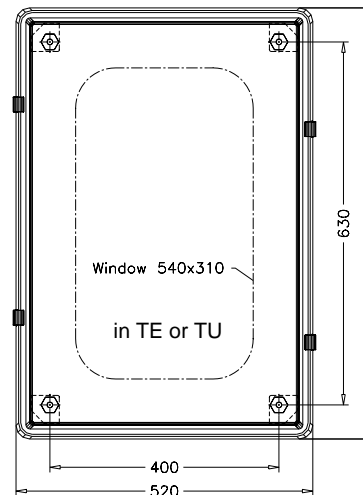
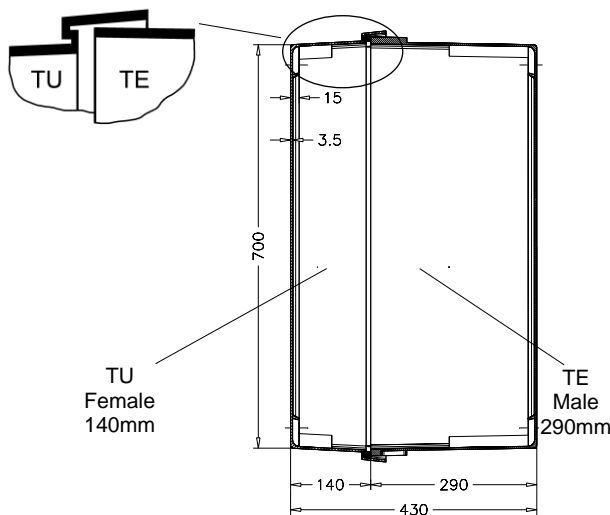
Explosion Protection

- GO** antistatic to avoid electrostatic charges according to DIN EN IEC 60079-0
- Ex p** preparation for pressurization according to DIN EN IEC 60079-2

Protection Class

- IP66** **IP67** **IP68**
- CSA Enclosure Type 4X (NEMA 4X)**

Vents and Drains (see data sheet [KD184](#))



Ordering example: MULTIBOX 150 SE DFVA FS TU arctic-PP GO