



MULTIBOX 170

Made of hot-pressed glassfibre reinforced polyester (GRP)
 Two-part construction, so that equipment can be installed in either the shallow or the deep part.
 Stackable design for space saving storage and transport
 Low flammability and self-extinguishing
 4 mounting elements in 316 stainless steel

- Color: light gray, RAL 7032
- UV-resistant
- Protection class IP65
- EPDM seal
- Weight approx. 27.5lbs, 12,5 kg

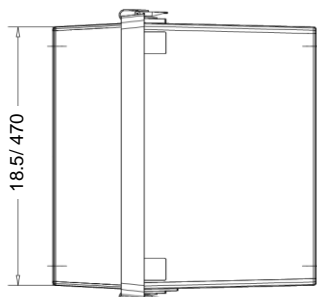
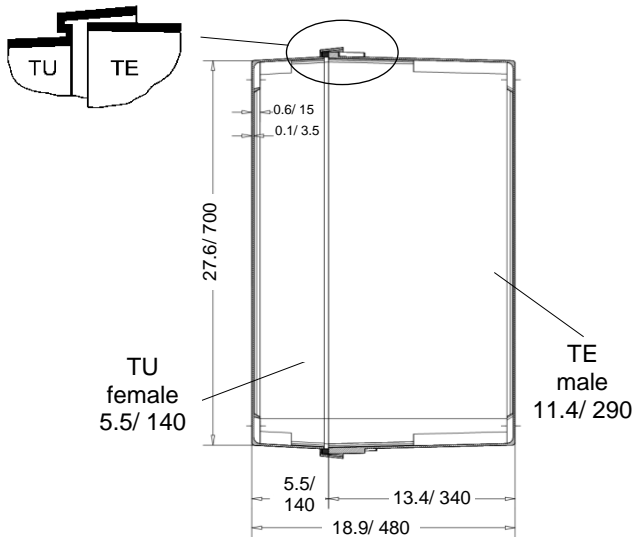
For further technical details see data sheet [KD015](#)

Dimensions	Height	Width	Depth
in inch (approx.)	29.5"	x 20.5"	x 18.9"
in mm (approx.)	750	x 520	x 480

Heat transition coefficient K	without window	with window
Standard	9.1 W/K	9.8 W/K
arctic.....	2.4 W/K	3.1 W/K

Designs (Locking-Type see data sheet [KD152](#))

- SV** 4 latches in 316 stainless steel
- SE** 2 hinges and 2 latches in 316 stainless steel with angle for padlock



Lid Propstay (only design SE)

- LP** in plated steel } 1 pcs.
- LPSS** in stainless steel } 2 pcs.
- LPGF** gas compression spring

Window (see data sheet [KD153](#) and [KD154](#))

- FA** acrylic glass window } mounted in
- FS** safety glass window } TE
- STA** hinged door of acrylic glass } TU

arctic additional Insulation

- PU foam, not stackable
- arctic-PP** Polypropylene-lining
- arctic-Alu** Alu-foil-lining

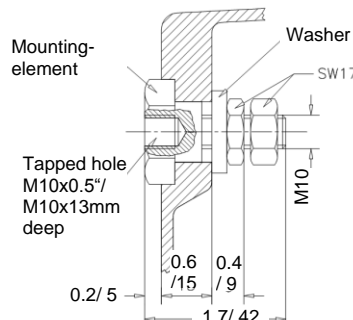
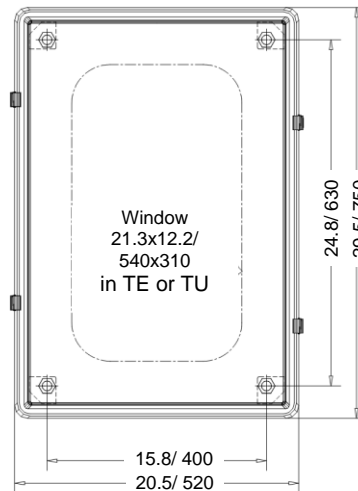
Explosion Protection

- GO** antistatic to avoid electrostatic charges according to DIN EN IEC 60079-0
- Ex p** preparation for pressurization according to DIN EN IEC 60079-2

Protection Class

- IP66** **IP67** **IP68**
- CSA Enclosure Type 4X (NEMA 4X)**

Vents and Drains (see data sheet [KD184](#))



Ordering example: MULTIBOX 170 SE LPSS FS TU arctic-PP GO

Dimensions in inches/ mm



Distribuidores autorizados para Uruguay
 Venta - Ingeniería - Instalación - Mantenimiento
 Francisco Soca 1531
 Telefono: +598 2 707 48 01
 Montevideo Uruguay
 Mail: info@techingenium.com.uy
 www.techingenium.com.uy