



DIABOX 87

Made of hot-pressed glassfibre reinforced polyester
 Continuous double seal (a mechanical one in the form of a tongue and groove and another in the form of an inserted EPDM seal)
 Two-part construction, split diagonally, lower part for installation of equipment, upper part as lid.
 Stackable design for space saving storage and transport
 Hardly inflammable and self-extinguishing

- Colour: similar light grey, RAL7032
- UV-resistant
- Protection class IP65
- Weight approx. 8 kg

For further technical details see data sheet [KD015](#) and [KD219](#)

Dimensions (approx.)	H x W x D
<input type="checkbox"/> Mounting "vertical"	490 x 460 x 390 mm
<input type="checkbox"/> Mounting "horizontal"	390 x 460 x 490 mm

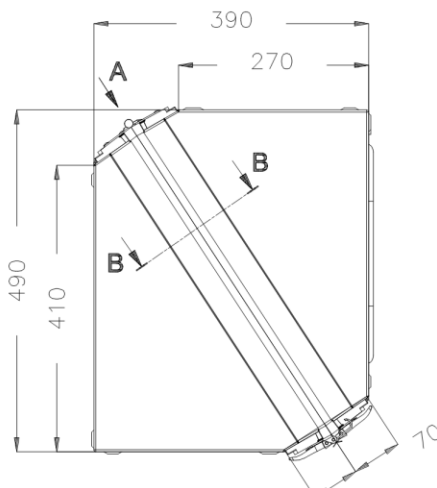
Heat transition coefficient K	without window	with window
Standard	5,4 W/K	5,8 W/K
arctic.....	0,9 W/K	1,3 W/K

Designs

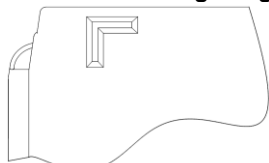
- SV4** 4 clasps in stainless steel
- SE2** 2 hinges and 2 clasps in stainless steel, with angle for optional padlock

Outside Dimensions of the Enclosure – 6 mm =
 Inside Dimensions of the Enclosure

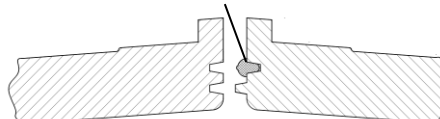
View:
 Mounting „vertical“



Detail C: Stacking Ledges



Detail B-B: Sealing Strip EPDM



Lid Propstay (only design SE)

- DF** in galvanized steel, fitted
 - DFVA** in stainless steel, fitted
 - DFGF** gas compression spring
- } 1 pcs.
 } 2 pcs.

Window (see data sheet [KD219](#))

material for mounting	Acrylic glass	Safety glass
vertical 290 x 290 mm	<input type="checkbox"/> FAV	<input type="checkbox"/> FSV
horizontal 210 x 290 mm	<input type="checkbox"/> FAH	<input type="checkbox"/> FSH

arctic additional Insulation

PU-foam, not stackable

- arctic-PP** Polypropylen-lining
- arctic-Alu** Alu-foil-lining
- arctic-GRP** GRP-lining

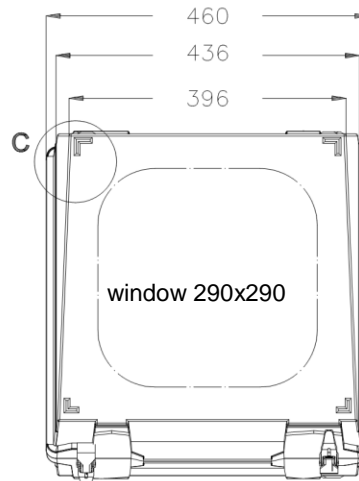
Explosion Protection

- GO** antistatic to avoid electrostatic charges according to EN IEC 60079-0
- Ex p** preparation for pressurised according to EN IEC 60079-2

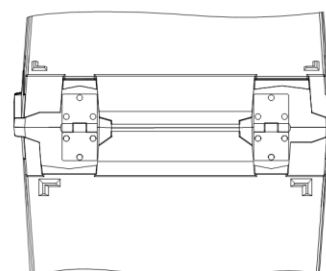
Protection Class

- IP66** **IP67** **IP68**
- CSA Enclosure Type 4X (NEMA 4X)**

Vents and Drains (see data sheet [KD184](#))



View A



Ordering example: DIABOX 87 SE2 DFVA1 FSV arctic-PP GO