



# DIABOX 137

Made of hot-pressed glassfibre reinforced polyester  
 Continuous double seal (a mechanical one in the form of a tongue and groove and another in the form of an inserted EPDM seal)  
 Two-part construction, split diagonally, lower part for installation of equipment, upper part as lid.  
 Stackable design for space saving storage and transport  
 Hardly inflammable and self-extinguishing

- Colour: similar light grey, RAL7032
- UV-resistant
- Protection class IP65
- Weight approx. 10,8 kg

For further technical details see data sheet [KD015](#) and [KD219](#)

Dimensions (approx.)	H x W x D
<input type="checkbox"/> Mounting "vertical"	490 x 710 x 390 mm
<input type="checkbox"/> Mounting "horizontal"	390 x 710 x 490 mm

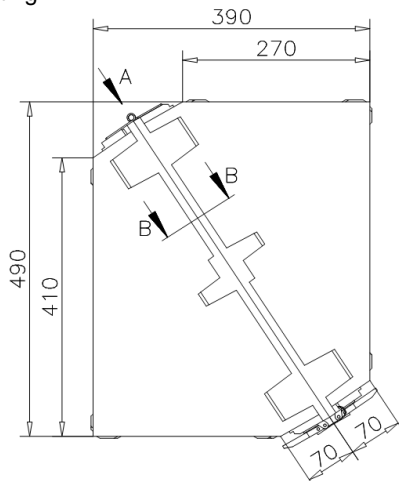
Heat transition coefficient K	without window	with window
Standard	7,5 W/K	8,2 W/K
arctic-..	1,2 W/K	1,9 W/K

### Designs

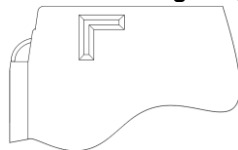
- SV4** 4 clasps in stainless steel
- SE2** 2 hinges and 2 clasps in stainless steel, with angle for optional padlock

Outside Dimensions of the Enclosure - 6 mm =  
 Inside Dimensions of the Enclosure

View: Mounting „vertical“

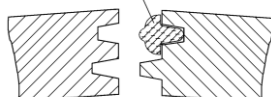


Detail: Stacking Ledges



Detail B-B: Sealing Strip

EPDM



### Lid Propstay (only design SE)

- DF2** in galvanized steel, fitted
  - DFVA2** in stainless steel, fitted
  - DFGF2** gas compression spring
- }  2 pcs.

### Window (see data sheet [KD219](#))

material for mounting	Acrylic glass	Safety glass
vertical 300 x 500 mm	<input type="checkbox"/> FAV	<input type="checkbox"/> FSV
horizontal 210 x 500 mm	<input type="checkbox"/> FAH	<input type="checkbox"/> FSH

### arctic additional Insulation

PU-foam, not stackable

- arctic-PP** Polypropylene-lining
- arctic-Alu** Alu-foil-lining

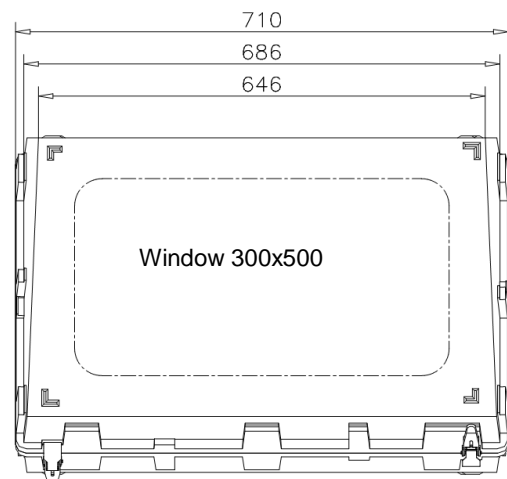
### Explosion Protection

- GO** antistatic to avoid electrostatic charges according to EN IEC 60079-0
- Ex p** preparation for pressurised according to EN IEC 60079-2

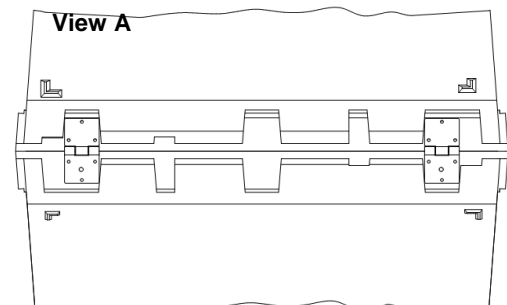
### Protection class

- IP66**       **IP67**       **IP68**
- CSA Enclosure Type 4X (NEMA 4X)**

### Vents and Drains (see data sheet [KD184](#))



View A



Ordering example: DIABOX 137 SE2 DFVA2 FSV arctic-PP GO