



# CP MICROTHERM C Electric heater

## 1 Application

Heating of instrument enclosures in hazardous areas, designed for

- freeze protection
- condensation protection
- vertical installation

## 2 Special Features & Advantages

- Vertical design allows for optimum installation adjacent to the instruments to be heated in the enclosure
- Available freeze-protection thermostat (TSxx) and a junction box can be provided
- High heat output resulting from a special, black anodized aluminium profile construction

## 3 Description

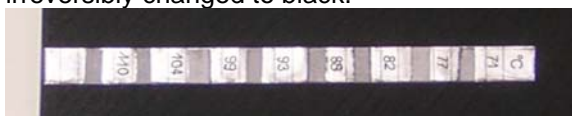
The very versatile MICROTHERM line consists of electric heaters designed to heat the air in the enclosure by convection.

Wherever possible, a heater designed for temperature class T3 should be selected. A temperature fuse is integrated in the heater that cuts off the power in case of a technical failure or excessive heating resulting from an external heat source. It should be noted that the temperature fuse must only be repaired in our factory. For reasons of operational safety the heater must only be operated under conditions that ensure that the trip temperature of the limiter will not be exceeded:

- Ensure effective convection by observing the necessary clearances as per sections 7 on the next page. Allow for good convection circulation in the enclosure and take care not to cover the fins.
- The TSxx thermostat or TC temperature controller can be supplied to limit or maintain the ambient temperature in the enclosure.

All Intertec explosion-proof heaters can also be supplied to European ATEX standard and are also available in a cost-saving non-explosion-proof design.

A temperature indicator shows potential problems and failures at an early stage (e.g. incorrect installation). Please check the application if more than 3 fields have irreversibly changed to black.



Warranty null and void if Heater strip has been removed from Heater.



## 4 Technical data

CSA Certification	1655545 (LR 43674)
Type of Protection	Cl. I, Div. 1, Group A,B,C,D, T3/T4
Ingress Protection	IP 68
Ambient temperature	-58°F to 320°F/ -50°C to 160°C
Nominal voltage	120V AC
Connection size	½" NPT
Length of cable	39" / 1 m
Length, width, height	2" x 2" x 6.1" / 50 x 50 x 155 mm
Material	seawater-proof aluminium, black anodized

## 5 Types (Other types on request)

CP MICROTHERM CNA	25 T4	75 T3
Nominal power [W]	25	75
Temperature class	T4	T3

## 6 Options

TSxx JC	Thermostat kit with 3 port junction box
AM	Failure alarm opening at < 5 °C
3M	Connection cable 3 m long
230V	Nominal voltage 230 V AC
240-265V	Nominal voltage 240-265 V AC
277V	Nominal voltage 277 V AC
ATEX	European ATEX version also available

### Ordering example:

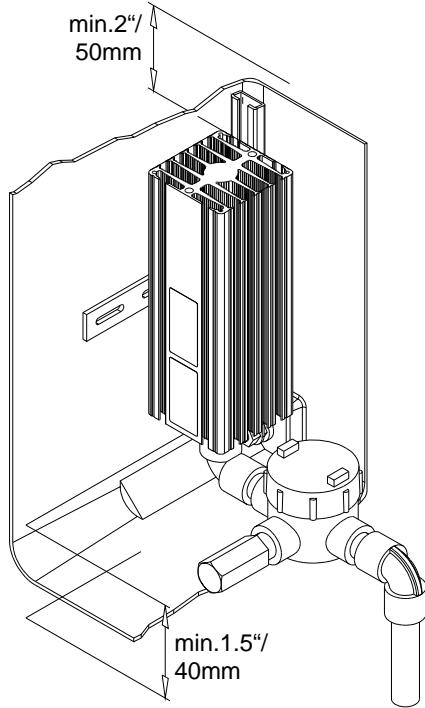
CP MICROTHERM CNA 75 T3 120V



# CP MICROTHERM C Electric heater



## 7 Installation Position and Minimum Clearances



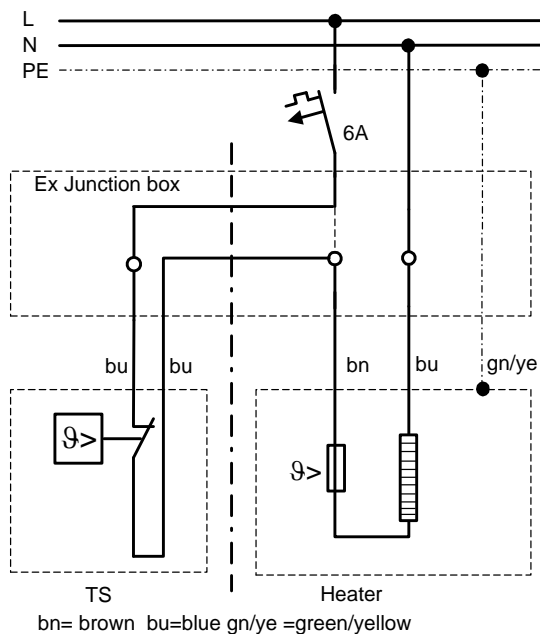
## 9 Installation

When installing the heater, please make sure that the label remains clearly legible.

The INTERTEC universal mounting bracket that is supplied with the heater allows versatile installations. Nuts and bolts are included in the mounting kit.

Strictly follow the MICROTHERM operating instructions during installation.

## 8 Electric Wiring



Distribuidores autorizados para Uruguay  
 Venta - Ingeniería - Instalación - Mantenimiento  
 Francisco Soca 1531  
 Telefono: +598 2 707 48 01  
 Montevideo Uruguay  
 Mail: info@techingenium.com.uy  
 www.techingenium.com.uy