



SL POSTTHERM CNA Self-limiting Block Heater

1 Application

The self-limiting electric conduction heater is a combination of a 2.4" instrument pillar and a heating system. Manifolds or similar equipment in hazardous areas can be directly attached. It heats the device by conduction. This is the easiest, safest and most economical method of freeze protection or temperature maintenance.

2 Special Features & Advantages

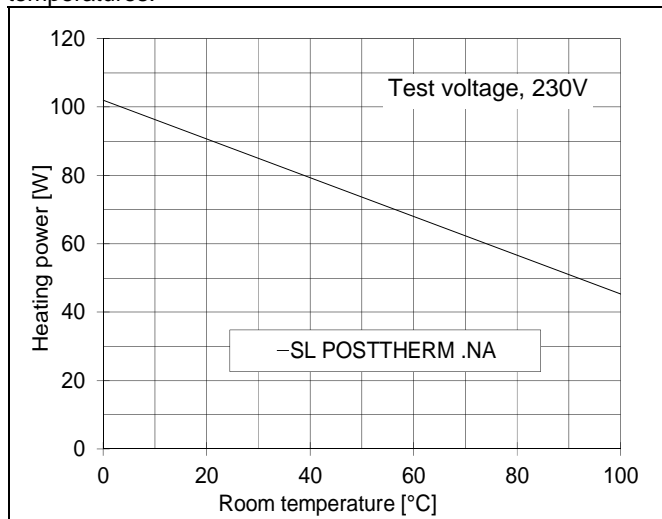
- Combines heater and 2.4" instrument pillar
- Energy saving, high power output
- Self-limiting, no fusible link or limiter
- Compact, requires very little space
- Adjusts automatically to the voltage

3 Description

POSTTHERM is a aluminum heating block with a ½" NPT thread to connect to a conduit. The PTC cartridge provides the heat that is transferred through the heater block to the device which it is attached.

4 Performance

The diagram below shows the heating power at different temperatures.



All INTERTEC explosion-proof heaters can also be supplied

- to European ATEX standard (ATEX/ IEC).
Ordering Example: SL POSTTHERM **DNA** T3 TS
- in a less expensive, Non-explosion-proof design
Ordering Example: SL POSTTHERM **NNA**
- as Bi-Standard (see datasheet HD608).



5 Technical Data

SL POSTTHERM	CNA
CSA certificate	1655545 (LR43674)
CSA Type of Protection	Cl. I, Div. 1, Group A,B,C,D, T3/T4
Length x Width x Depth, Diameter	6.3" x 3.6" x 3.6" Ø 2.4" 160 x 90 x 90mm Ø 60.4mm
Temperature Class	T3
Nominal Power (Watt)	75W
Nominal Voltage	110 to 265 V
Operating Temp. Range	-58 F to +356 F/ -50°C to +180°C
Ingress Protection	IP 68
Material	seawater-proof aluminium, black anodized

6 Options

TSxx A	Thermostat kit with 3 port junction box
AM	Failure alarm opens at < 41F/ 5°C
3M	Connection cable 3 m long

Not all options can be combined.

Ordering example:

SL POSTTHERM CNA T3 AM

Ti **Techingenium**

Distribuidores autorizados para Uruguay
Venta - Ingeniería - Instalación - Mantenimiento
Francisco Soca 1531
Teléfono: +598 2 707 48 01
Montevideo Uruguay
Mail: info@techingenium.com.uy
www.techingenium.com.uy



SL POSTTHERM CNA Self-limiting Block Heater



7 Temperature Limitation

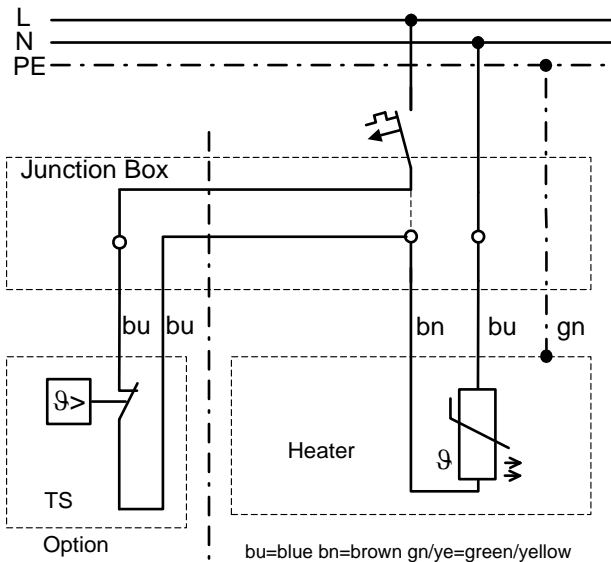
PTC-elements (Positive Temperature Coefficient) raise their electric resistance with rising temperature. High resistance means low heating power. The heating power gets very low at high temperatures so that the temperature cannot exceed the maximum temperature of the respective temperature class. The PTB Certificate of Conformity stipulates that the heat transfer coefficient of the surrounding enclosure must not be less than $K=0,5 \text{ W/K}$. All INTERTEC enclosures meet these requirements.

8 Supply Voltage

In addition to the above-mentioned temperature characteristics, the PTC-elements show a varistor effect. They control their resistance in accordance to the supply voltage. The nominal power supply voltage may be 110 V to 265 V with the same heater. The output may be a maximum of 15% higher than that shown in the diagramme overleaf.

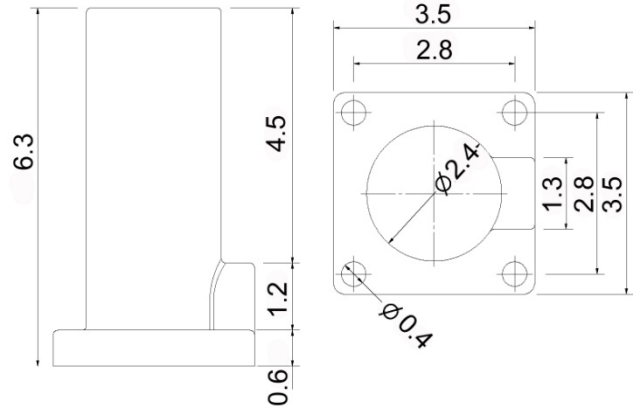
9 Electric Wiring

9.1 POSTTHERM with TS



Connection cable Silflex-EWK 3x1,5 mm², 1m long. Other lengths available upon request (at an extra charge).

10 Dimensions



11 Mounting

The block heater dissipates the heat by convection.

