



SL DSEETHERM Self-limiting Block Heater



1 Application

The self-limiting electric conduction heater is designed to be attached directly to manifolds, measuring or analyzing instruments, control valves and similar equipment installed in hazardous areas. It is designed to be attached directly to a DIN rail. It heats the device by conduction. This is the easiest, safest and most economical method of freeze protection or temperature maintenance.

2 Special Features & Advantages

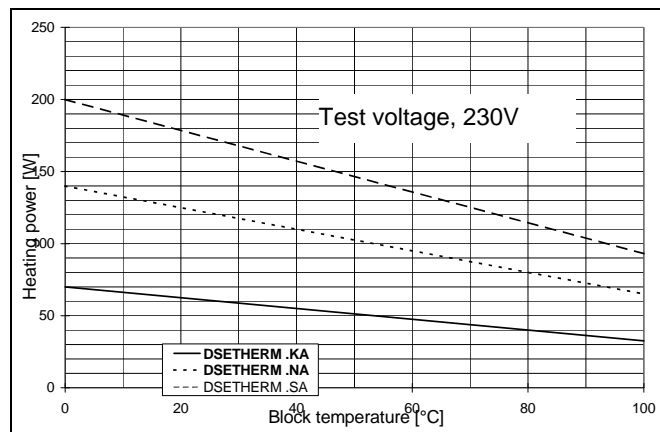
- Energy saving, high output
- Self-limiting, no fusible link or limiter
- Compact, requires very little space
- Adjusts automatically to the voltage
- The additional fins support the convective heat transfer

3 Description

DSEETHERM is a aluminum heating block with a ½" NPT thread to connect to a conduit. The PTC cartridge provides the heat that is transferred through the heater block to the device to which it is attached.

4 Performance

The diagram below shows the heating power at different block temperatures.



All INTERTEC explosion-proof heaters can also be supplied

- to American NEC standard (CSA/NRTL/FM/UL).
Ordering Example: SL DSEETHERM CNA T3 AM
- in a less expensive, Non-explosion-proof design
Ordering Example: SL DSEETHERM NKA
- as Bi-Standard (see datasheet HD608).



5 Technical Data

SL DSEETHERM	DKA	DNA	DSA
Length of Block (Inches)	4"	6,5"	11,35"
Length of Block (mm)	101,60	165,10	288,30
Temperature Class	T3		
Nominal Power (Watt)	70	140	200
Type of Protection (Gas)	II 2 G Ex d IIC T3		
Type of Protection (Dust)	II 2 D Ex tD A21 IP65 T200°C		
EC Examination Certificate	PTB 02 ATEX 1116 X		
IEC Scheme Certificate	IECEx PTB 07.0055X		
Nominal Voltage	110 to 265 V		
Operating Temp. Range	-50° to +180°C		
Ingress Protection	IP 68, NEMA 4X		
Material	seawater-proof aluminium, black anodized		

6 Options

TS (Gas) (Dust)	Room temp. controller for freeze protection II 2 G Ex dm IIC T4 bzw. T3 II 2 D Ex tDmD A21 IP65 T135°C, T200° C
AM	Failure alarm opens at < 5°C (only possible with version DNA and DSA)
3M	Connection cable 3 m long

Not all options can be combined.

Ordering example:

SL DSEETHERM DSA T3 TS AM

Ti Techingenium

Distribuidores autorizados para Uruguay
Venta - Ingeniería - Instalación - Mantenimiento
Francisco Soca 1531
Montevideo Uruguay
Teléfono: +598 2 707 48 01
Mail: info@techingenium.com.uy
www.techingenium.com.uy



SL DSE THERM Self-limiting Block Heater



7 Temperature Limitation

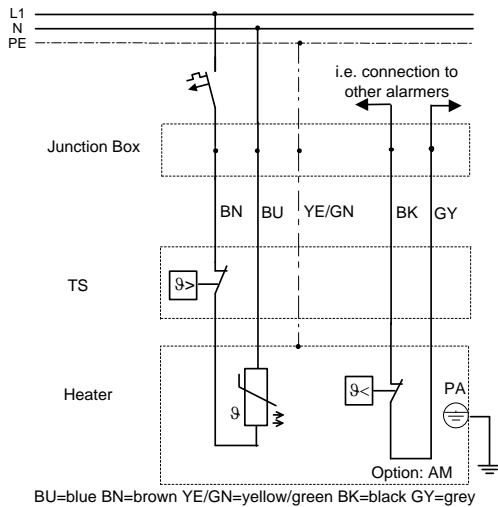
PTC-elements (Positive Temperature Coefficient) raise their electric resistance with rising temperature. High resistance means low heating power. The heating power gets very low at high temperatures so that the temperature cannot exceed the maximum temperature of the respective temperature class. The PTB Certificate of Conformity stipulates that the heat transfer coefficient of the surrounding enclosure must not be less than $K=0,5 \text{ W/K}$. All INTERTEC enclosures meet these requirements.

8 Supply Voltage

In addition to the above-mentioned temperature characteristics, the PTC-elements show a varistor effect. They control their resistance in accordance to the supply voltage. The nominal power supply voltage may be 110 V to 265 V with the same heater. The output may be a maximum of 15% higher than that shown in the diagramme overleaf.

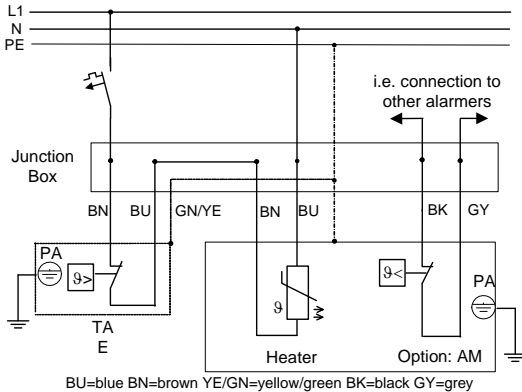
9 Electric Wiring

9.1 DSE THERM with TS



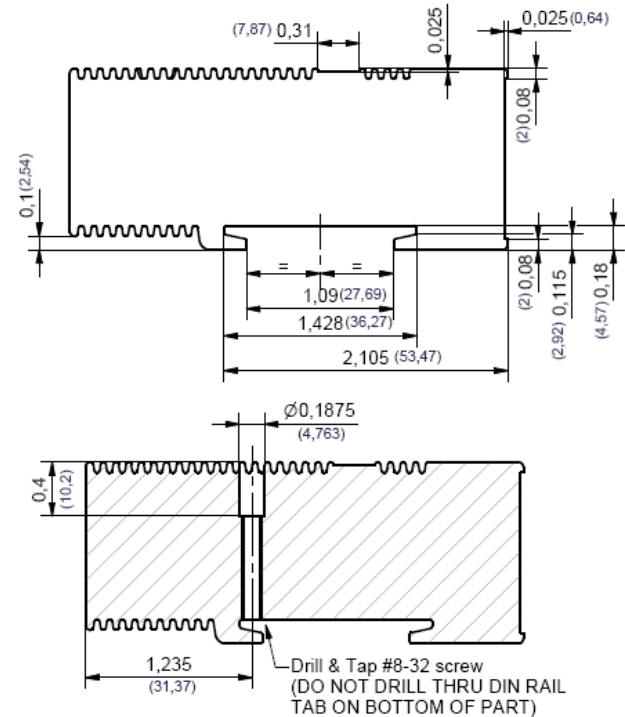
9.2 DSE THERM with TAE

TAE see data sheet HD223-xe



Connection cable Silflex-EWKF 3x1,5 mm², 1m long. Other lengths available upon request (at an extra charge).

10 Dimensions



11 Mounting

