

Linear Luminaire Sheet Steel for Fluorescent Lamps Series 6014/11

E2



- > For use in Zones 1 & 2, 21 & 22
- > In 2- or 4-lamp version
- > Powder-coated sheet-steel or stainless steel
- > Central lock
- > All-pole disconnection when the lamp is opened

www.stahl.de



16958E00

Series 6014 light fittings are preferred for use in spraying and painting installations.

Zone	ATEX / IECEx					
	0	1	2	20	21	22
For use in		x	x		x	x

WebCode 6014B

Linear Luminaire Sheet Steel for Fluorescent Lamps

Series 6014/11

Selection Table

Version	Cable glands	Number of lamps	Lamp wattage W	Material	Order number
Linear Luminaire Sheet Steel for Fluorescent Lamps Series 6014/11	3 x M25	2	18	Sheet steel	6014/1112-2951-1100-11
			18	Stainless steel	6014/1112-2951-1100-14
		4	36	Sheet steel	6014/1114-2951-1100-11
			36	Stainless steel	6014/1114-2951-1100-14
		4	58	Sheet steel	6014/1116-2951-1100-11
			18	Sheet steel	6014/1122-4951-1100-11
		4	18	Stainless steel	6014/1122-4951-1100-14
			36	Sheet steel	6014/1124-4951-1100-11
	3 x M20	2	18	Sheet steel	6014/1112-2958-1100-11
			18	Stainless steel	6014/1112-2958-1100-14
		4	36	Sheet steel	6014/1114-2958-1100-11
			36	Stainless steel	6014/1114-2958-1100-14
		4	58	Sheet steel	6014/1116-2958-1100-11
			18	Sheet steel	6014/1122-4958-1100-11
		4	18	Stainless steel	6014/1122-4958-1100-14
			36	Sheet steel	6014/1124-4958-1100-11
4	36	Stainless steel	6014/1124-4958-1100-14		
	58	Sheet steel	6014/1126-4958-1100-11		

Order Number Supplement

Connection terminal	Spring clamp terminal up to 4 mm ²	6014/1 1
	Screw terminal up to 6 mm ²	6014/1 4

Note

The lights are delivered without fluorescent lamps and assembly parts. These parts must be ordered separately!

Explosion Protection

Global (IECEx)

Gas and dust	IECEx BVS 13.0110 Ex d e IIC T4 Gb Ex tb IIIC T80°C Db
--------------	--

Europe (ATEX)

Gas and dust	BVS 13 ATEX E 109 ⊕ II 2G Ex d e IIC T4 Gb ⊕ II 2D Ex tb IIIC T80°C Db
--------------	--

Certifications and certificates

Certificates	IECEx, ATEX, India (PESO)
--------------	---------------------------

Linear Luminaire Sheet Steel for Fluorescent Lamps

Series 6014/11



E2

Technical Data

Electrical data

Ballast	6014/1...-...-1...-	6014/1...-...-4...-
Lamp start	Cold start	Cold start
Voltage	220 ... 240 V AC	110 ... 240 V AC
DC voltage in case of ignition	198 ... 264 V DC	104 ... 264 V DC
DC voltage during operation	176 ... 264 V DC	104 ... 264 V DC
Frequency	0 / 50 ... 60 Hz	0 / 50 ... 60 Hz
Lamp operation DC	6014/111.-...-1...-	6014/112.-...-1...-
	1-lamp (standard)	1-lamps (standard)
	6014/112.-...-1...-	6014/111.-...-1...-
	2-lamps (standard)	2-lamps (standard)
Lamp standard	IEC 60081	IEC 60081
Lamp power	18 W, 36 W, 58 W	18 W, 36 W
Nominal current	2 x 18 W: 150 ... 170 mA 2 x 36 W: 300 ... 320 mA 2 x 58 W: 460 ... 500 mA 4 x 18 W: 300 ... 340 mA 4 x 36 W: 600 ... 640 mA 4 x 58 W: 920 ... 1,000 mA	2 x 18 W: 170 ... 345 mA 2 x 36 W: 310 ... 660 mA 4 x 18 W: 340 ... 690 mA 4 x 36 W: 620 ... 1,320 mA
Power factor cos φ	≥ 0.96	

Ambient conditions

Operating temperature range	-35 ... +60 °C (version 18 W, 36 W) -35 ... +50 °C (version 58 W)
-----------------------------	--

Mechanical data

Degree of protection	IP65 IP64 when using breather 8162 IP66 when using the flushing frame (IEC 60598)
Protection class	I (with internal PE connection)
Material	
Enclosure	Sheet steel powder coated Stainless steel SS304 (V2A 1.4301) brushed Stainless steel SS316L (V4A 1.4404) brushed
Lens	Safety glass
Seal	Silicon foam seal in the luminaire enclosure
Luminaire locking	Central locking; glass cover hinged for access
Colour	White, similar RAL 9016



Mounting / Installation

Cable glands	1x M20/M25 left and 2x M20/M25 right, 1x cable glands and 2 stopping plugs as standard
Connection	Spring clamp terminal up to 4 mm ² 3-pole (2x L1, 2x N, 2x PE) 5-pole (2x L1, 2x L2, 2x L3, 2x N, 2x PE)
Through wiring	Screw terminal up to 6 mm ² 3-pole (2x L1, 2x N, 2x PE) 5-pole (2x L1, 2x L2, 2x L3, 2x N, 2x PE)
Assembly	Optional (max. 12 A) suitable as pendant light fitting, wall mounted luminaire and recessed light fitting Pendant light fitting 2x M8 threads at the back of the luminaire for use of ring eyes or other mounting accessories. Wall mounted luminaire M8 threads on both sides of the luminaire for mounting of wall mounting brackets. Recessed light fitting Variant 1: fixing frame welded to enclosure Variant 2: fixing frame attached to the enclosure with M6 screws Note: For both installation versions, the luminaires must either be mounted on the back or the sides of the luminaire using the M8 threads.

Linear Luminaire Sheet Steel for Fluorescent Lamps

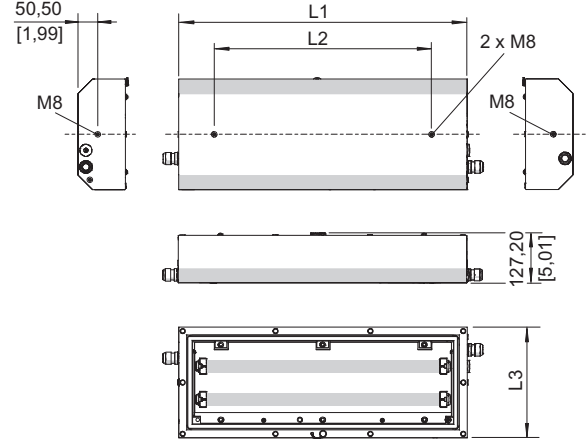
Series 6014/11

Accessories and Spare Parts

Designation	Figure	Description	Art. no.	Weight kg
Fluorescent lamps	 04936E00	18 W 1350 lm	108952	0.100
		36 W 3350 lm	108951	0.200
		58 W 5200 lm	108950	0.220
Breathing gland	 05703E00	for installation in lights; in moulded material; without counter nut		
		Thread: M25 x 1.5 1 pc	138573	0.010
		Thread: M25 x 1.5 20 pcs	138576	0.200

Dimensional Drawings (All Dimensions in mm [inches]) – Subject to Alterations

Version	Number of lamps	Dimensions		
		L1	L2	L3
18 W	2	733 [28.9]	550 [21.7]	280 [11.0]
	4	733 [28.9]	550 [21.7]	380 [15.0]
36 W	2	1343 [52.9]	950 [37.4]	280 [11.0]
	4	1343 [52.9]	950 [37.4]	380 [15.0]
58 W	2	1643 [64.7]	1250 [49.2]	280 [11.0]
	4	1643 [64.7]	1250 [49.2]	380 [15.0]



16655E00

We reserve the right to make alterations to the technical data, dimensions, weights, designs and products available without notice. The illustrations cannot be considered binding.