

Floodlight LED
Series 6125

www.stahl.de



18199E00

- > Floodlight Zones 1, 2 and 21, 22 with highly efficient LEDs
- > 3 different light distribution types for adjusting to the illumination task
- > Enclosure made of sheet steel single powder coated or stainless steel V4 A (SS316L) double powder coated for marine applications
- > Broad operating temperature range from -30 ... +50 °C
- > Low-maintenance due to long service life of up to 100,000 operating hours

E2



	ATEX / IECEx					
Zone	0	1	2	20	21	22
For use in		x	x		x	x

Explosion Protection

Global (IECEx)

Gas and dust

IECEx EPS 15.0087
 Ex db eb op is IIB T4 Gb
 Ex tb IIIC T80°C, T95°C Db

Europe (ATEX)

Gas and dust

EPS 15 ATEX 1 114
 Ⓢ II 2G Ex db eb op is IIB T4 Gb
 Ⓢ II 2D Ex tb IIIC T80°C, T95°C Db

Type	Power	Ambient temperature	Temperature class	Max. surface temperature
6125/11..-21..-.....-	120 W	-30 °C ... +50 °C	T6	80 °C
6125/11..-42..-.....-	210 W	-30 °C ... +50 °C	T4	95 °C
6125/11..-42..-.....-	210 W	-30 °C ... +45 °C	T6	80 °C

Certifications and certificates

Certificates

IECEx, ATEX, India (PESO)

WebCode 6125A

Floodlight LED

Series 6125

Selection Table

Version	Light distribution	Terminals	Cable glands	Material	Order number	Art. no.	Weight kg
Floodlight LED Series 6125 120 W	narrow beam	5x 4mm ²	2 x M25	Sheet steel	6125/1111-2131-5011-111	254062	23.000
				Stainless steel V4A	6125/1111-2131-5011-242	254084	23.000
			2 x M20	Sheet steel	6125/1111-2131-5021-111	254078	23.000
				Stainless steel V4A	6125/1111-2131-5021-242	254090	23.000
		5x 6mm ²	2 x M25	Sheet steel	6125/1111-2131-6011-111	254065	23.000
				Stainless steel V4A	6125/1111-2131-6011-242	254087	23.000
	2 x M20		Sheet steel	6125/1111-2131-6021-111	254081	23.000	
			Stainless steel V4A	6125/1111-2131-6021-242	254093	23.000	
	medium beam	5x 4mm ²	2 x M25	Sheet steel	6125/1112-2131-5011-111	254063	23.000
				Stainless steel V4A	6125/1112-2131-5011-242	254085	23.000
			2 x M20	Sheet steel	6125/1112-2131-5021-111	254079	23.000
				Stainless steel V4A	6125/1112-2131-5021-242	254091	23.000
		5x 6mm ²	2 x M25	Sheet steel	6125/1112-2131-6011-111	254076	23.000
				Stainless steel V4A	6125/1112-2131-6011-242	254088	23.000
	2 x M20		Sheet steel	6125/1112-2131-6021-111	254082	23.000	
			Stainless steel V4A	6125/1112-2131-6021-242	254095	23.000	
	wide beam	5x 4mm ²	2 x M25	Sheet steel	6125/1114-2131-5011-111	254064	23.000
				Stainless steel V4A	6125/1114-2131-5011-242	254086	23.000
			2 x M20	Sheet steel	6125/1114-2131-5021-111	254080	23.000
				Stainless steel V4A	6125/1114-2131-5021-242	254092	23.000
		5x 6mm ²	2 x M25	Sheet steel	6125/1114-2131-6011-111	254077	23.000
				Stainless steel V4A	6125/1114-2131-6011-242	254089	23.000
	2 x M20		Sheet steel	6125/1114-2131-6021-111	254083	23.000	
			Stainless steel V4A	6125/1114-2131-6021-242	254096	23.000	

Floodlight LED

Series 6125



Selection Table

Version	Light distribution	Terminals	Cable glands	Material	Order number	Art. no.	Weight kg	
Floodlight LED Series 6125 210 W	narrow beam	5x 4mm ²	2 x M25	Sheet steel	6125/1111-4231-5011-111	254097	29.500	
				Stainless steel V4A	6125/1111-4231-5011-242	254109	29.500	
				2 x M20	Sheet steel	6125/1111-4231-5021-111	254103	29.500
					Stainless steel V4A	6125/1111-4231-5021-242	254115	29.500
		5x 6mm ²	2 x M25	Sheet steel	6125/1111-4231-6011-111	254100	29.500	
				Stainless steel V4A	6125/1111-4231-6011-242	254112	29.500	
		2 x M20	Sheet steel	6125/1111-4231-6021-111	254106	29.500		
			Stainless steel V4A	6125/1111-4231-6021-242	254118	29.500		
	medium beam	5x 4mm ²	2 x M25	Sheet steel	6125/1112-4231-5011-111	254098	29.500	
				Stainless steel V4A	6125/1112-4231-5011-242	254110	29.500	
			2 x M20	Sheet steel	6125/1112-4231-5021-111	254104	29.500	
				Stainless steel V4A	6125/1112-4231-5021-242	254116	29.500	
		5x 6mm ²	2 x M25	Sheet steel	6125/1112-4231-6011-111	254101	29.500	
				Stainless steel V4A	6125/1112-4231-6011-242	254113	29.500	
		2 x M20	Sheet steel	6125/1112-4231-6021-111	254107	29.500		
			Stainless steel V4A	6125/1112-4231-6021-242	254119	29.500		
	wide beam	5x 4mm ²	2 x M25	Sheet steel	6125/1114-4231-5011-111	254099	29.500	
				Stainless steel V4A	6125/1114-4231-5011-242	254111	29.500	
			2 x M20	Sheet steel	6125/1114-4231-5021-111	254105	29.500	
				Stainless steel V4A	6125/1114-4231-5021-242	254117	29.500	
		5x 6mm ²	2 x M25	Sheet steel	6125/1114-4231-6011-111	254102	29.500	
				Stainless steel V4A	6125/1114-4231-6011-242	254114	29.500	
		2 x M20	Sheet steel	6125/1114-4231-6021-111	254108	29.500		
			Stainless steel V4A	6125/1114-4231-6021-242	254120	29.500		

E2

Technical Data

Electrical data

Electronic balast		
Rated voltage	220 ... 240 V, 50/60 Hz	
Rated current	6125/11..-21:	0.54 A
	6125/11..-42:	0.94 A
Inrush current		
	6125/11..-21 (120 W Version)	6125/11..-42 (210 W Version)
	I_{peak} (measured at 50 % I_{peak})	58 A; $\Delta t = 360 \mu s$
		116 A; $\Delta t = 360 \mu s$
	max. light fittings per circuit breaker	
	Type B 10 A	4
	Type B 16 A	9
	Type B 25 A	20
Power factor	> 0.95	
THD	≤ 10 %	

Floodlight LED

Series 6125

Technical Data

Luminous characteristics

	6125/11..-2	6125/11..-4
Power consumption [W]	120	210
Colour rendering [CRI]	≥ 70	≥ 70
Colour temperature [K]	5,700	5,700
wide beam		
Luminous flux [lm]	11,763	19,658
Luminaire efficiency [lm/W]	98	94
medium beam		
Luminous flux [lm]	11,155	18,361
Luminaire efficiency [lm/W]	93	87
narrow beam		
Luminous flux [lm]	12,081	19,979
Luminaire efficiency [lm/W]	101	95

Values apply to $T_a = +25\text{ °C}$.
 Luminous flux decrease at $T_a = +50\text{ °C}$
 • ≥ 90 % of the nominal value. (120 W Version)
 • ≥ 60 % of the nominal value. (210 W Version)

Ambient conditions

Operating temperature range	-30 °C ... +50 °C (for 6125/11..-21 & 6125/11..-42)		
Storage temperature	-30 °C ... +75 °C		
Service life	$T_a \leq +40\text{ °C}$	$+40\text{ °C} < T_a \leq +45\text{ °C}$	$+45\text{ °C} < T_a \leq +50\text{ °C}$
	L ₇₀ B ₁₀ C ₁₀	100,000 h	80,000 h
	L _x B _y C _z		
	At the end of the service life:		
	<ul style="list-style-type: none"> - Luminous flux decreases by "x" percent. - up to "y" percent of all luminaires fall below "x" - up to "z" percent of all luminaires break down completely 		

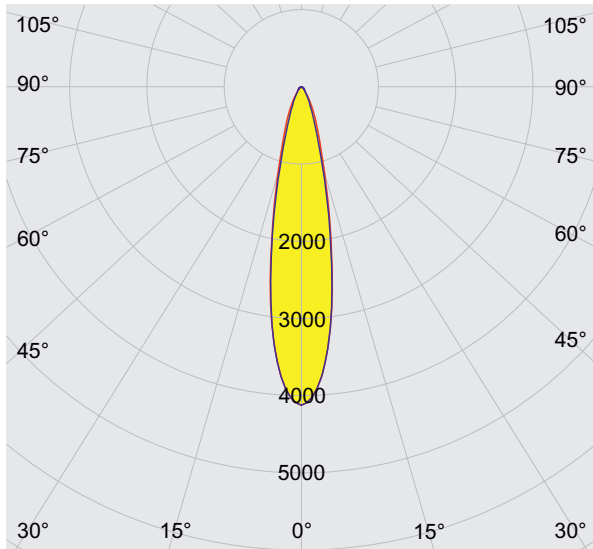
Mechanical data

Degree of protection	IP66 (IEC 60529)
Protection class	I (with internal PE connection)
Impact strength (IK code)	IK10 (IEC 62262)
Material	
Enclosure	6125/.....-.....-11 Sheet steel, powder-coated 6125/.....-.....-42 Stainless steel 1.4404 (V4A), with powder coating
Colour	Colour white, similar to RAL 9010
Seal	Foamed silicone in luminaire cover
Lamp cover	Toughened glass
Bracket	Sheet steel, single powder-coated or Stainless steel SS316L (1.4404 or V4A) without powder coating
Enclosure lock	Pan head screw, M6, stainless steel Hinged enclosure cover

Mounting / Installation

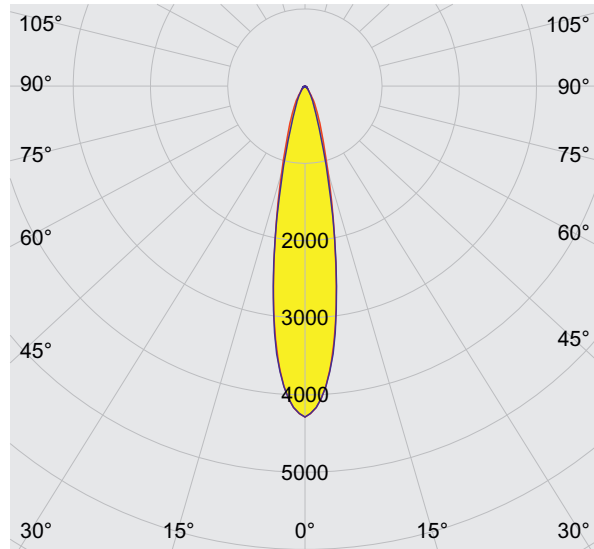
Cable entry	1 x cable glands Series 8161 1 x stopping plugs Series 8290
Connection	Standard: 5-pole (2x L1, 2x L2, 2x L3, 2x N, 2x PE) Spring clamp terminals 0.75 ... 4 mm ² solid / stranded Stripping length: 10 ... 11 mm Optional: 5-pole (2x L1, 2x L2, 2x L3, 2x N, 2x PE) Spring clamp terminals 0.75 ... 4 mm ² finely and extra finely stranded 0.75 ... 6 mm ² solid Stripping length: 13 ... 15 mm
Loop in/loop out	max. 12 A

Light Distribution Curves



cd/klm $\eta = 100\%$
— C0 - C180 — C90 - C270

17978E00

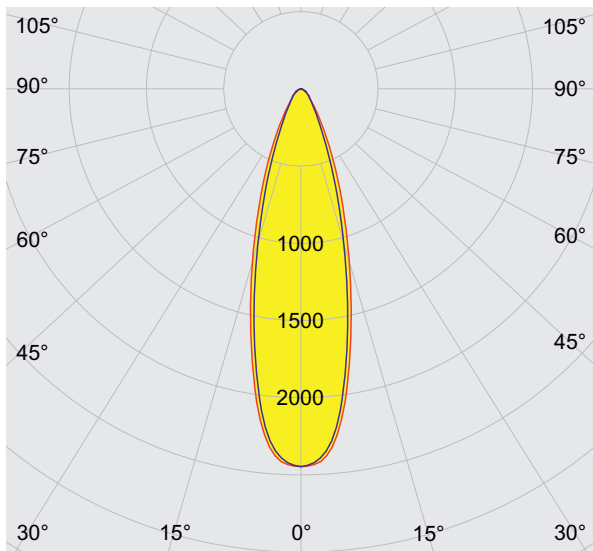


cd/klm $\eta = 100\%$
— C0 - C180 — C90 - C270

17979E00

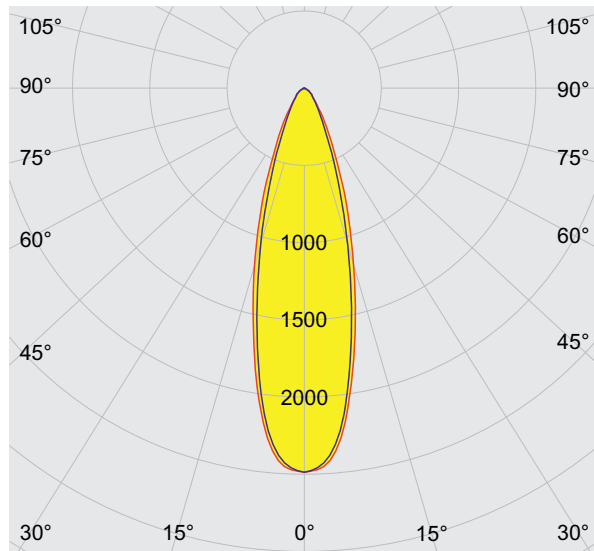
120 W narrow beam

210 W narrow beam



cd/klm $\eta = 100\%$
— C0 - C180 — C90 - C270

17980E00



cd/klm $\eta = 100\%$
— C0 - C180 — C90 - C270

17981E00

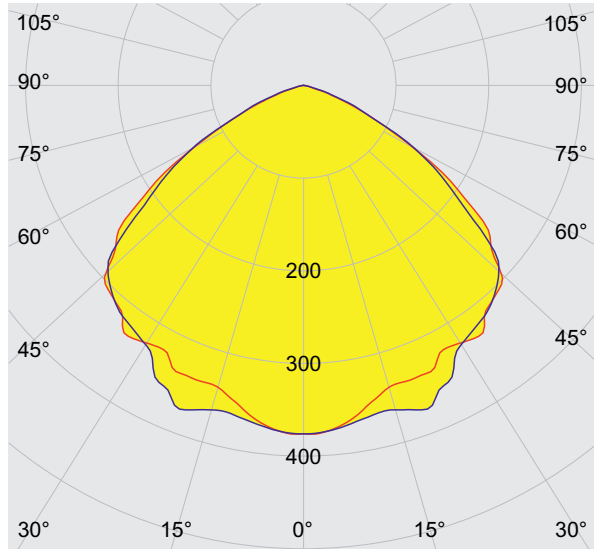
120 W medium beam

210 W medium beam

Floodlight LED

Series 6125

Light Distribution Curves



cd/klm

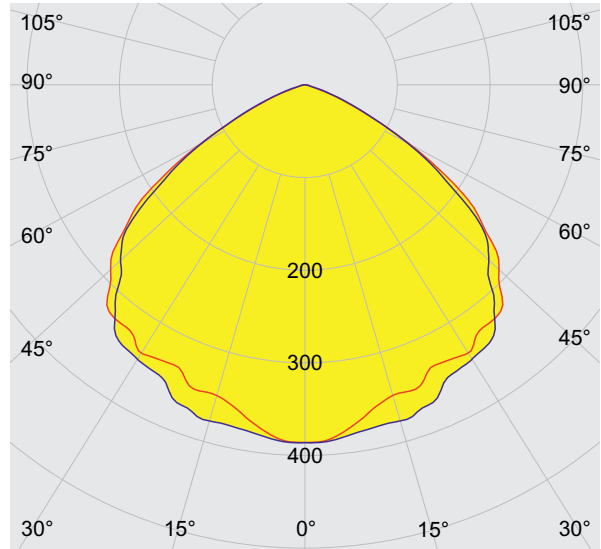
— C0 - C180

— C90 - C270

$\eta = 100\%$

17982E00

120 W wide beam



cd/klm

— C0 - C180

— C90 - C270

$\eta = 100\%$

17983E00

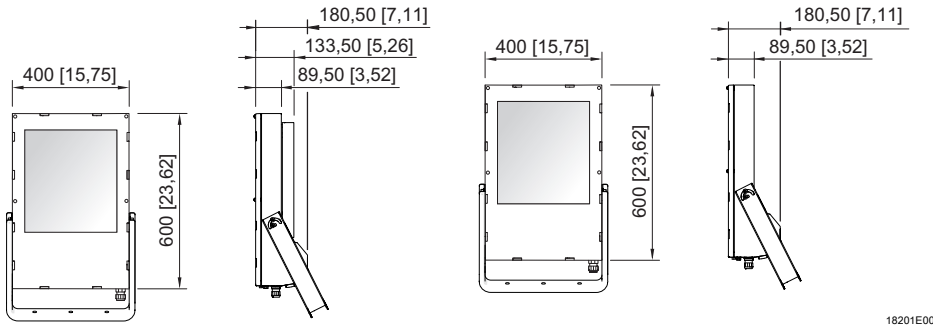
210 wide beam

Floodlight LED

Series 6125



Dimensional Drawings (All Dimensions in mm [inches]) - Subject to Alterations

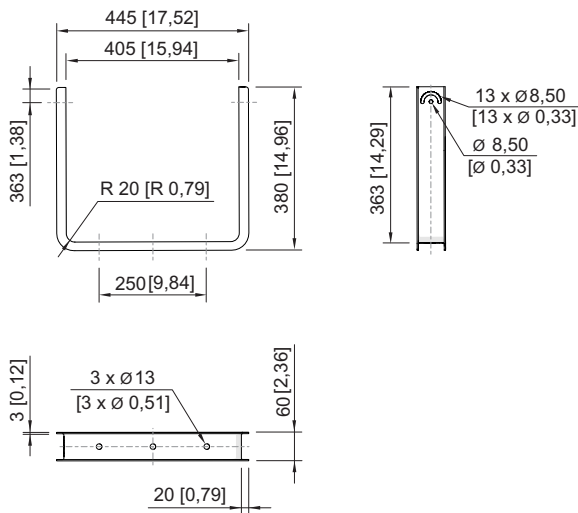


18200E00

18201E00

Floodlight Series 6125
with cooling element
(210 W version)

Floodlight Series 6125
without cooling element
(120 W version)



17561E00

Mounting bracket

We reserve the right to make alterations to the technical data, dimensions, weights, designs and products available without notice. The illustrations cannot be considered binding.

E2