



Ex Miniature Circuit Breaker (MCB)
 Series 8562



- > 1, 2 and 3 Pole with Thermal-Magnetic Branch Circuit Protection
- > Rated current from 0.2 A ... 40 A
- > Protection Method:
 Flameproof for Class Zone1;
 AEx de IIC (US) Ex de IIC (C)
 and Class I Div 2
 Grps A, B, C, D (US)
 Class I Div 2 Per CEC J 18-150
- > For use in US + Canada,
 in NEC / CEC applications.



06119E00

www.stahl.de



The R. STAHL series 8562 Breakers provide short circuit protection for feeder and branch circuits to control either resistive or inductive loads. There is a wide range of applications, such as heating, lighting, heating tracing and motor circuits. These applications and more are found throughout refineries, chemicals, petrochemical plants, pharmaceutical and other process industries.

	NEC 505			NEC 506			Division	NEC 500					
	Class I							Class I		Class II		Class III	
Zone	0	1	2	20	21	22		1	2	1	2	1	2
For use in		x	x						x				

Ex Miniature Circuit Breaker (MCB) Series 8562

Selection Table

Version	Breaking capacity	No. of poles	Rated operational current	Auxiliary contacts	Module width	Order number	Weight
	kA				mm		kg / lbs
Ex MCB 8562 for 120/240 V AC, K-Characteristic	10	1 pole	10 A	without	36	8562/51-1420-100	0.810 / 1.786
			20 A	without	36	8562/51-1420-200	0.810 / 1.786
			30 A	without	36	8562/51-1420-300	0.810 / 1.786
			40 A	without	36	8562/51-1420-400	0.810 / 1.786
		2 pole	10 A	without	54	8562/52-2420-100	1.200 / 2.646
			20 A	without	54	8562/52-2420-200	1.200 / 2.646
			30 A	without	54	8562/52-2420-300	1.200 / 2.646
		3 pole	10 A	without	72	8562/53-3420-100	1.520 / 3.351
			20 A	without	72	8562/53-3420-200	1.520 / 3.351
			30 A	without	72	8562/53-3420-300	1.520 / 3.351
			40 A	without	72	8562/53-3420-400	1.520 / 3.351
		Ex MCB 8562 for 480Y/277 V AC, K-Characteristic	10	1 pole	10 A	without	36
15 A	without				36	8562/51-1430-150	0.810 / 1.786
20 A	without				36	8562/51-1430-200	0.810 / 1.786
25 A	without				36	8562/51-1430-250	0.810 / 1.786
2 pole	10 A			without	54	8562/52-2430-100	1.200 / 2.646
	15 A			without	54	8562/52-2430-150	1.200 / 2.646
	20 A			without	54	8562/52-2430-200	1.200 / 2.646
3 pole	10 A			without	72	8562/53-3430-100	1.520 / 3.351
	15 A			without	72	8562/53-3430-150	1.520 / 3.351
	20 A			without	72	8562/53-3430-200	1.520 / 3.351
	25 A			without	72	8562/53-3430-250	1.520 / 3.351
Ex MCB 8562 for 480Y/277 V AC, 60 / 125 V DC, C-Characteristic	10			1 pole	30 A	without	36
		32 A	without		36	8562/51-1610-320	0.800 / 1.764
		40 A	without		36	8562/51-1610-400	0.800 / 1.764
		2 pole	30 A	without	54	8562/52-2610-300	1.200 / 2.646
			32 A	without	54	8562/52-2610-320	1.200 / 2.646
			40 A	without	54	8562/52-2610-400	1.200 / 2.646
		3 pole	30 A	without	72	8562/53-3610-300	1.500 / 3.307
			32 A	without	72	8562/53-3610-320	1.500 / 3.307
			40 A	without	72	8562/53-3610-400	1.500 / 3.307
Ex MCB 8562 for 480Y/277 V AC, 60 / 125 V DC, D-Characteristic	10	1 pole	30 A	without	36	8562/51-1620-300	0.800 / 1.764
			32 A	without	36	8562/51-1620-320	0.800 / 1.764
		2 pole	30 A	without	54	8562/52-2620-300	1.200 / 2.646
			32 A	without	54	8562/52-2620-320	1.200 / 2.646
		3 pole	30 A	without	72	8562/53-3620-300	1.500 / 3.307
			32 A	without	72	8562/53-3620-320	1.500 / 3.307

Note Other current versions are available on request.

Technical Data

Explosion protection	Ex d e IIC T5 or T6 Class I, Zone 1, AEx d e IIC T5 or T6 Class I, Division 2, Groups A, B, C and D T5 or T6
----------------------	--

Electrical data

Version	8562/5.-.42.	8562/5.-.43.	8562/5.-.6..
Rated voltage	240 V AC	480Y/277 V AC	480Y/277 V AC, 60 / 125 V DC
Rated current	0.2 ... 40 A ⁽¹⁾	0.2 ... 25 A ⁽¹⁾	30 ... 40 A ⁽¹⁾
No. of poles	1-pole, 2-pole, 3-pole	1-pole, 2-pole, 3-pole	1-pole, 2-pole, 3-pole
Tripping characteristic	K	K	C&D (40 A C only)
Interrupting Capacity	10 kA	10 kA	10 kA
Frequency	50/60 Hz	50/60 Hz	50/60 Hz
Reference Temperature	25 °C (77 °F) ⁽²⁾	25 °C (77 °F) ⁽²⁾	25 °C (77 °F) ⁽²⁾

⁽¹⁾ The maximum operating values depend on the ambient temperature of the ExMCB.

⁽²⁾ Reference Temperature for Rated Current in accordance with CSA C22.2 No.5 / ANSI/UL 489.

Ex Miniature Circuit Breaker (MCB)

Series 8562

Technical Data

Ambient conditions

Operating temperature range -20 °C (-4 °F) ... +40 °C (104 °F)

Mechanical data

Connection Terminals

Capacity AWG 14 - AWG 6, solid and stranded
 Tightening torque for up to AWG 10: 35 lbf-in or 4.0 Nm
 for AWG 6: 45 lbf-in or 5.1 Nm
 Degree of protection IP20
 Installation position Per NEC/CEC

The following table gives an overview of the operating current values at different ambient temperatures.

Rated Current [Amps]	Operating Current Values [Amps] at different Ambient Temperatures							
	-20 °C	-10 °C	0 °C	10 °C	20 °C	25 °C ⁽²⁾	30 °C	40 °C
0.2	0.24	0.23	0.22	0.21	0.20	0.2	0.18	0.16
0.3	0.36	0.35	0.34	0.32	0.30	0.3	0.28	0.25
0.5	0.62	0.60	0.57	0.55	0.50	0.5	0.48	0.44
0.75	0.93	0.89	0.85	0.81	0.75	0.75	0.71	0.65
1	1.25	1.20	1.15	1.10	1.03	1	0.97	0.89
1.6	2.00	1.93	1.84	1.75	1.65	1.6	1.54	1.42
2	2.5	2.4	2.3	2.2	2.1	2	1.9	1.8
3	3.7	3.6	3.4	3.3	3.1	3	2.9	2.6
4	5.0	4.8	4.6	4.4	4.1	4	3.8	3.6
5	6.2	6.0	5.7	5.5	5.1	5	4.8	4.4
6	7.4	7.2	6.9	6.6	6.2	6	5.8	5.3
8	10.0	9.6	9.2	8.7	8.2	8	7.7	7.1
10	12.4	12.0	11.5	10.9	10.3	10	9.6	8.9
13	16.2	15.6	14.9	14.2	13.4	13	12.5	11.5
15	18.7	18.0	17.2	16.4	15.4	15	14.4	13.3
16	19.9	19.2	18.4	17.5	16.5	16	15.4	14.2
20	24.9	24.0	23.0	21.9	20.6	20	19.2	17.7
25	31.2	30.0	28.7	27.3	25.8	25	24.1	22.3
30	37.4	36.0	34.4	32.7	30.9	30	28.8	26.6
32	39.9	38.4	36.8	35.0	33.0	32	30.8	28.5
40	49.9	48.1	46.1	43.8	41.3	40	38.6	35.6
30*	34.8	33.9	32.8	31.8	30.6	30	29.4	28.4
35*	40.6	39.6	38.3	37.1	35.7	35	34.3	32.8
40*	46.4	45.2	43.8	42.4	40.8	40	39.2	37.8

⁽²⁾Reference Temperature for Rated Current in accordance with CSA C22.2 No.5 / ANSI/UL 489.

* Reference 30 ... 40 A see Electrical data.

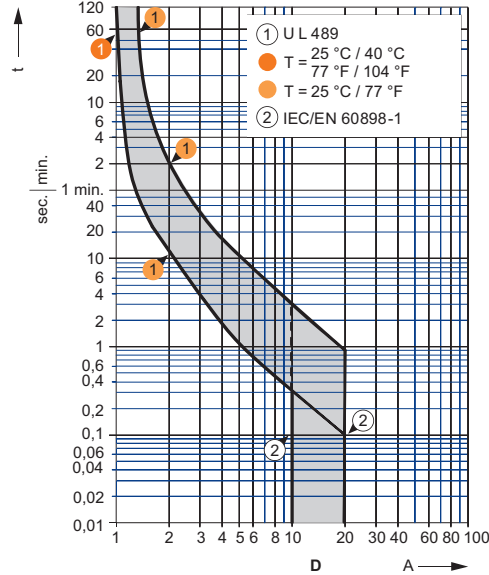
Rated Current	Interrupting Capacity					
	1-pole			2-, 3-pole		
	120 V AC	240 V AC	60 V DC	240 V AC	400 V AC	125 V DC
	kA/cos p	kA/cos p	kA	120 / 240 V AC	480Y / 277 V AC	kA
0.2 ... 2 A	10/0.25	10/0.25	10	10/0.25	10/0.25	10
3 A						
4 A, 5 A						
6 A						
8 A						
10 ... 20 A						
25 A						
30 A						
32 ... 40 A						

Ex Miniature Circuit Breaker (MCB)

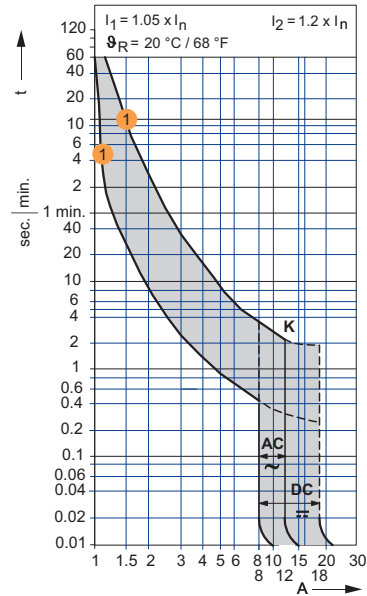
Series 8562

Tripping Characteristics

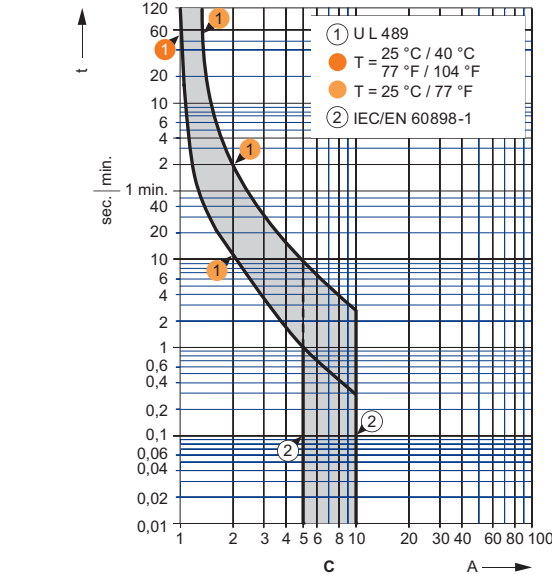
t = tripping time, A = multiple of the rated current



D-Characteristic



K-Characteristic



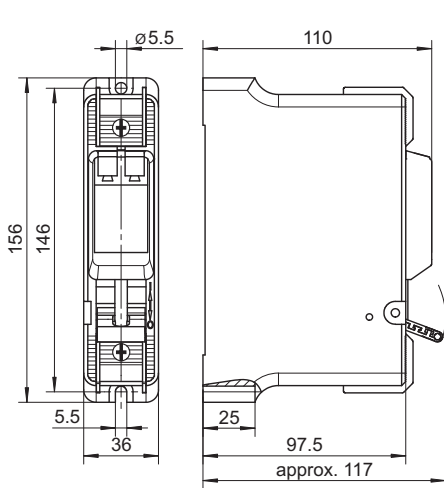
C-Characteristic

15298E00

Ex Miniature Circuit Breaker (MCB) Series 8562

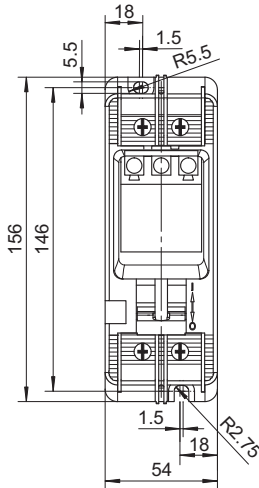


Dimensional Drawings (All Dimensions in mm) - Subject to Alterations



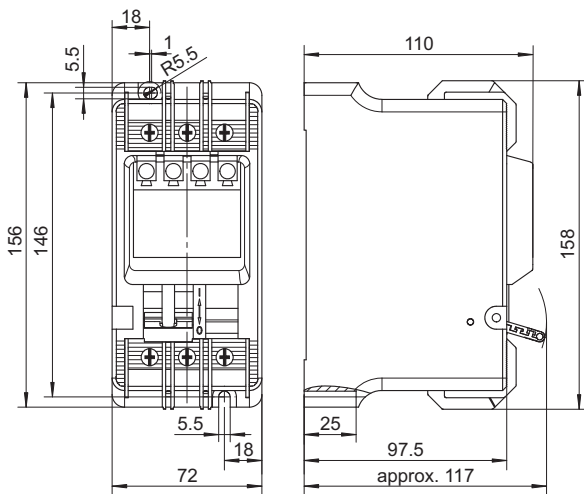
06075E00

8562/51-...



06076E00

8562/52-...



06077E00

8562/53-...

We reserve the right to make alterations to the technical data, dimensions, weights, designs and products available without notice. The illustrations cannot be considered binding.

E9