

Fuse Base Series 8561/02

www.stahl.de



03147E00

- > For DIAZED System fuse links
- > Rated working voltage up to 500 V
- > Rated working current up to 63 A
- > Defective fuse link detectable externally



E9

Series 8561/02 fuse bases are fitted with commercially-available DIAZED System fuse links. They are used mainly in Ex e distribution fuse boards to protect the outgoing load circuits or as back-up protection for the equipment.

	ATEX / IECEx					
Zone	0	1	2	20	21	22
For use in		x	x			

Selection Table

Version	Size	Thread size	Order number	Weight
				kg
Fuse base	D II	E27	8561/02-11	0.785
	D III	E33	8561/02-12	0.748

WebCode 8561B

Fuse Base

Series 8561/02

Explosion Protection

Global (IECEX)

Gas	IECEX PTB 06.0063U Ex d e IIC Gb Ex d e I Mb
-----	--

Europe (ATEX)

Gas	PTB 02 ATEX 1028 U ⊕ II 2 G Ex d e IIC Gb ⊕ I M 2 Ex d e I Mb
-----	---

Certifications and certificates

Certificates	IECEX, ATEX, Brazil (INMETRO), Serbia (SRPS)
--------------	--

Technical Data

Electrical data

Rated insulation voltage	690 V
Rated operational voltage	500 V AC/DC
Rated operational current	DII 25 A, DIII 63 A
I_e	
Operating class	gG
Characteristic	time-lag class gL/gG, gTr acc. to VDE 0636, 0635, IEC 60269

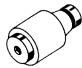
Ambient conditions

Ambient temperature	-55 °C ... +40 °C
---------------------	-------------------

Mechanical data

Enclosure material	Epoxy resin
Screw cap fixing	M4, Socket head cap screw
Connection type	2 x 1,5 ... 16 mm ² clamp terminals
Note	DIAZED system fuses. A defective fuse link can be detected externally by means of the indicator. Fuse links may only be exchanged after disconnecting power supply.


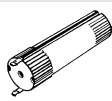

Accessories and Spare Parts

Designation	Figure	Description	Art. no.	Weight	
				kg	
Fuse	 05162E00	8561/02-11	2 A	111270	0.024
		8561/02-11	4 A	111271	0.024
		8561/02-11	6 A	111272	0.024
		8561/02-11	10 A	111273	0.027
		8561/02-11	16 A	111274	0.029
		8561/02-11	20 A	111275	0.028
		8561/02-11	25 A	111276	0.029
		8561/02-12	35 A	111267	0.047
		8561/02-12	50 A	111268	0.049
		8561/02-12	63 A	111269	0.051

Fuse Base

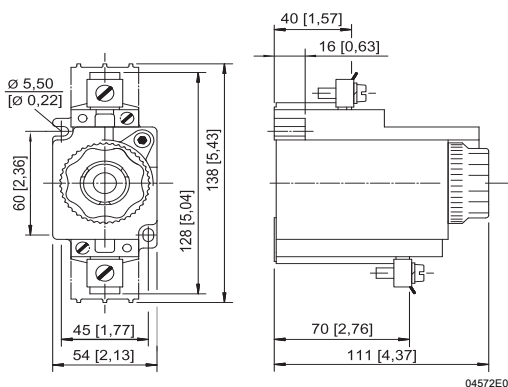
Series 8561/02



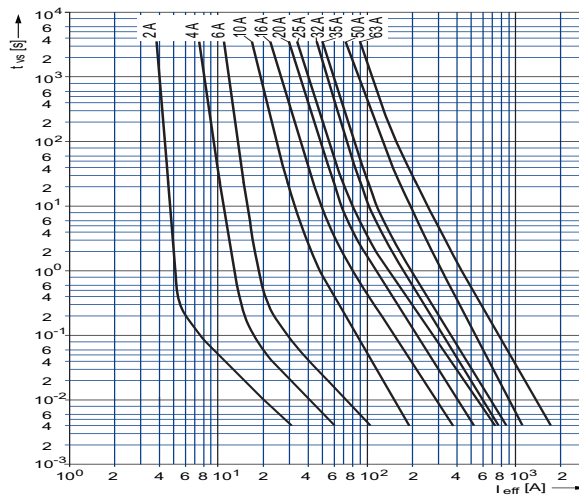
Accessories and Spare Parts					
Designation	Figure	Description	Art. no.	Weight	
Adaptor screw	 05163E00	8561/02-11	2 A	111650	0.012
		8561/02-11	4 A	111651	0.012
		8561/02-11	6 A	111652	0.012
		8561/02-11	10 A	111653	0.012
		8561/02-11	16 A	111654	0.012
		8561/02-11	20 A	111655	0.012
		8561/02-11	25 A	111656	0.011
		8561/02-12	35 A	111657	0.019
		8561/02-12	50 A	111658	0.049
		8561/02-12	63 A	111659	0.017
Adaptor screw fitter	 05160E00	for replacement of adapter Diazed	111660	0.018	
Terminal cover	 05161E00	IP10 cover	149225	0.008	

E9

Dimensional Drawings (All Dimensions in mm) - Subject to Alterations



8561/02 Fuse base



Current/time characteristic for fuses
(tolerance max. ± 10 %)

We reserve the right to make alterations to the technical data, dimensions, weights, designs and products available without notice. The illustrations cannot be considered binding.

Fuse Base
Series 8561/02