



Dome Camera

## Dome camera for explosive atmospheres EC-750-Dome

With its 360° Pan/Tilt head the camera gives the best opportunity for all around surveillance.

Regarding the IP68 safety the camera is dust-proof and submersible and suitable for use in harsh environments.

Because of the ambient temperature range from -20°C up to +60°C the camera could be used worldwide.

The light weight of 8 kg (17,63lbs) ensures easy mounting.

### Hardware Features

- Analog or Digital version available
- Stainless steel housing complete seawater resistant
- Weather shield is part of delivery
- Zone 1, 2, 21, 22 (Gas / Dust)
- There is a 5m pigtail installed on the camera

### Hardware Types

Model	Description	Zoom
EC-750-PA-VI-PE	Analog Dome PAL video format	18x
EC-750-NT-VI-PE	Analog Dome NTSC video format	18x
EC-750-PA-IP-PE	Network (IP) Dome	18x
EC-750-PA-IP-PE-40	Network (IP) Dome	40x

### Explosion Protection:



ATEX 6023 X  
IECEX LCIE 14.0011 X  
Ex d IIC T5

Ex tD A21 IP68, T100°C

### Temperature Range:

-20°C bis +60°C.

### IP Protection:

IP68



## Techingenium

Distribuidores autorizados para Uruguay  
Venta - Ingeniería - Instalación - Mantenimiento  
Francisco Soca 1531  
Teléfono: +598 2 707 48 01  
Montevideo Uruguay  
Mail: [info@techingenium.com.uy](mailto:info@techingenium.com.uy)  
[www.techingenium.com.uy](http://www.techingenium.com.uy)

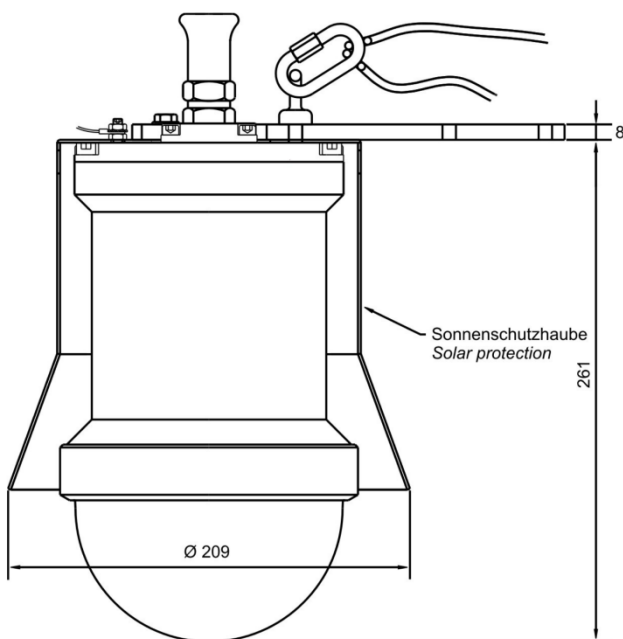
# Dome Camera EC-750 Series



Data sheet 2015 | R2-0 | EN

Technical Data			
	EC-750-PA-VI-PE (Analog)	EC-750-PA-IP-PE (IP)	EC-750-PA-IP-PE-40 (IP)
Sensor	1/4" Type Ex view HAD CCD picture sensor PAL or NTSC		1/4" Super HAD CCD II
Picture elements	752 (H) x 582 (V) Ca. 440.000 Pixel (PAL), ca. 380.000 Pixel (NTSC)		570.000 Pixel (PAL), 670 TVL
Resolution	460 / 470 TVL (PAL / NTSC)	720 x 576 D1	720 x 567 D1
Frame rate		Motion Jpeg up to 25/30 Frames per second at D1 H264 up to 25/30 Frames per second at D1	
Security		Password secured, IP Address filter, HTTPS encrypting	
Web server		Live view access from web browser Pan / Tilt command and presets, Image rotation and overlay capabilities (time, date, text)	
Compressions		Motion Jpeg H.264	
Video output	1.0 Vpp Composite video at 75Ohm	10BaseT / 100BaseTX	
S/N Ratio	>50 dB		
Communication	RS-485, Pelco-D Protocol, 2400 Baudrate	TCP/IP Protocol	
Minimum Illumination	0,7 lux in Standard mode, 0,01 lux with ICR an		0,6 lux Color mode, 0,01 lux ICR-An (F1.6 AGC An, 1/4 sec)
Lens	18x Optical zoom, f=4.1mm (Wide) to 73,8mm (Tele)		40x Optical zoom f=3,06mm (Wide) to 122,4mm (Tele)
Angle of view	48° (Wide), 2,8° (Tele)		60° (Wide), 1,6° (Tele)
Min. working distance	290mm (Wide), 800mm (Tele)		10mm (Wide), 1500mm (Tele)
Revolving speed	0 bis 42°/sec		
Pan speed	0 bis 42°/sec		
Lens movement	Tilt -90° bis +90° with flip facility, Pan 360° continuously without stop		
Day/Night function	Automatic IR Filter (ICR)		
Weight	8 Kg (Incl. 5 m Cable)		
Enclosure material	Stainless steel 316		
Part of delivery	Weather proof shield		
Optional accessory	Wall bracket, Pole bracket, Junction box, VB-CAM-MULTI-01-ARM, VB-CAM-MULTI-15-UNI, Ex e Terminal box, Video server		

Units in mm



**Ti Techingenium**

Distribuidores autorizados para Uruguay  
 Venta - Ingeniería - Instalación - Mantenimiento  
 Francisco Seca 1531  
 Teléfono: +598 2 707 48 01  
 Montevideo Uruguay  
 Mail: info@techingenium.com.uy  
 www.techingenium.com.uy

