

SE 560 Memosens pH Sensor

For low-conductivity media or low temperatures, refillable liquid electrolyte

Precise measurements due to self-cleaning platinum junction with high outflow of electrolyte even for media of very low conductivity. Measurements at low temperatures possible.

Applications

Low-temperature applications, cooling brine, electroplating, low-conductivity media

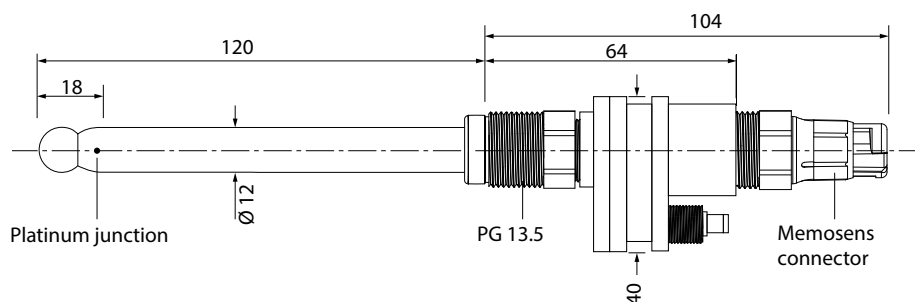
Facts

- Precise measurement under difficult conditions (low conductivity, contaminations)
- Measurement at low temperatures
- Perfect galvanic isolation thanks to Memosens technology
- No influence of humidity in the connector
- Precalibration in the lab
- Digital data transfer
- Integrated sensor diagnostics
- Integrated temperature detector
- Self-cleaning platinum junction
- Alpha glass, medium impedance, universal glass, fluoride resistant

Specifications

pH:	0 ... 14
Temperature:	-20 ... +100 °C
Pressure, relative:	-1 ... +3 bar
Temperature detector:	Pt1000
Sensor material:	Alpha glass
Reference system:	Ag/AgCl, liquid electrolyte, refillable
Junction:	Platinum
Immersion depth:	120 mm
Process adaptation:	PG 13.5
Sensor connector:	Memosens
ATEX marking:	II 1 G Ex ia IIC T3/T4/T6

Dimension Drawing



All dimensions in mm

Product Range	Length	Order No.
SE 560 pH sensor	120 mm	SE 560X/1-NMSN
Accessories		
Memosens cable	3 m	CA/MS-003NAA
	5 m	CA/MS-005NAA
	10 m	CA/MS-010NAA
	20 m*	CA/MS-020NAA
	Length	
Memosens cable, Ex	3 m	CA/MS-003XAA
	5 m	CA/MS-005XAA
	10 m	CA/MS-010XAA
	20 m*	CA/MS-020XAA
	Length	
CaliMat Buffer Solutions (20 °C)		
pH value 2.00 ± 0.02	250 ml	CS-P0200/250
	250 ml	CS-P0400/250
	1000 ml	CS-P0400/1000
	3000 ml	CS-P0400/3000
pH value 7.00 ± 0.02	250 ml	CS-P0700/250
	1000 ml	CS-P0700/1000
	3000 ml	CS-P0700/3000
	pH value 9.00 ± 0.02	250 ml
1000 ml		CS-P0900/1000
3000 ml		CS-P0900/3000
pH value 12.00 ± 0.05		250 ml
	Electrolyte	ZU 0958
Electrolyte reservoir		ZU 0321

* Greater lengths on request

Sensors for pH Measurement

Energy

Water

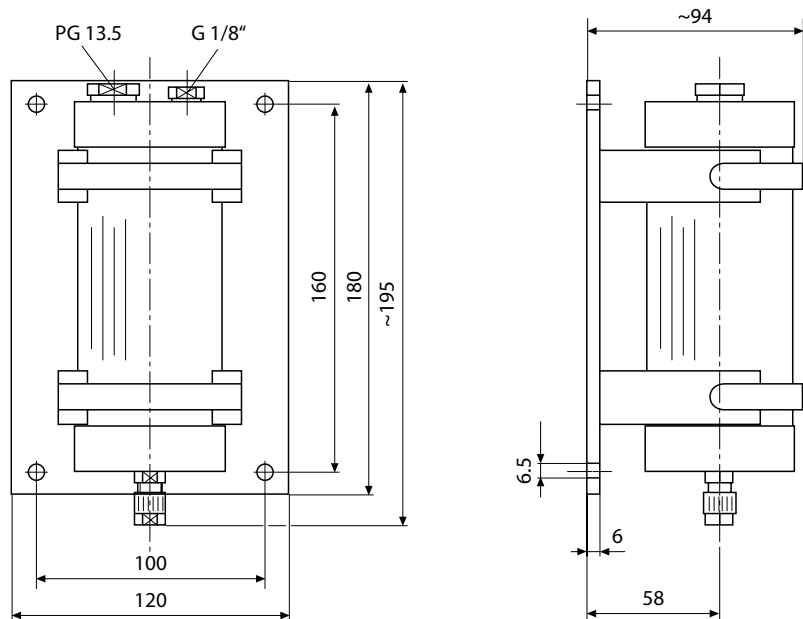
SE 560 Memosens pH Sensor

Accessories / Specifications

ZU 0321 electrolyte reservoir

Material:	Hard PVC, transparent
Useful capacity:	300 ml
Pressure:	Unpressurized
Sensor locations:	1 x PG 13.5 for use as electrolytic key
Hose connection:	Coupling for 4/6 x 1 mm hose (5 m hose 4/6 x 1, PVC, and adapter for 10 mm hose clip, included in shipment)
Refill:	G 1/8" hole with screw plug
Assembly:	Wall holder

Dimension Drawing:



All dimensions in mm