

Sensors for Conductivity Measurement

Chem

Energy

Ti Techingenium

Distribuidores autorizados para Uruguay
 Venta - Ingeniería - Instalación - Mantenimiento
 Francisco Sosa 1531
 Teléfono: +598 2 707 48 01
 Montevideo Uruguay
 Mail: info@techingenium.com.uy
 www.techingenium.com.uy

MEMOSENS



SE 604 Memosens Conductivity Sensor

Robust 2-electrode sensor, for precise and reliable measurement of low and very low conductivities, particularly in ultrapure water, digital, with Memosens technology.

Robust, coaxially arranged electrodes made of stainless steel. Large measuring range from ultrapure water to 500 $\mu\text{S}/\text{cm}$. Integrated temperature detector for temperature compensation. Easy to clean thanks to replaceable outer electrode.

Applications

Boiler feed water, feed water, boiler water, cooling water, water vapor cycle, pure water, condenser monitoring

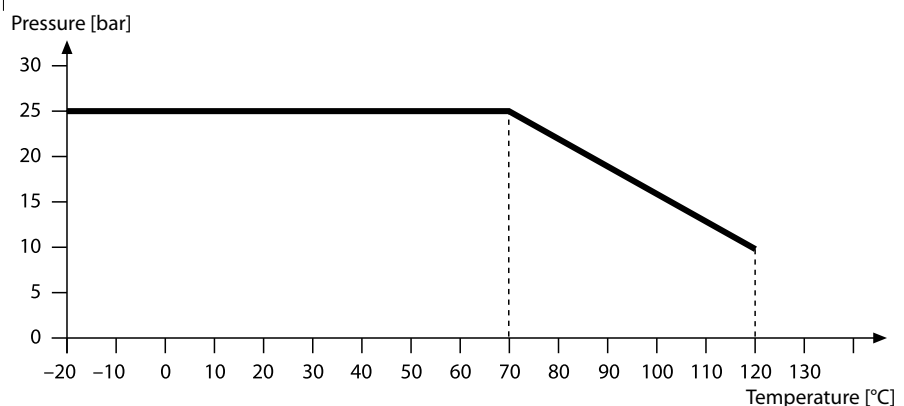
Facts

- Perfect galvanic isolation thanks to Memosens technology
- Digital data transfer
- Integrated sensor diagnostics
- Large measuring range from ultrapure water to 500 $\mu\text{S}/\text{cm}$
- Coaxially arranged electrodes
- Independent of installation conditions
- Integrated temperature detector
- High level of process safety due to durable materials and robust design
- Easy to clean thanks to detachable outer electrode
- Particularly suitable for monitoring ultrapure water in power plants

Specifications

Cell constant:	0.029/cm
Measuring range:	0.001 ... 500 $\mu\text{S}/\text{cm}$
Accuracy:	2 % meas. value
Material:	Sensor body and electrodes: 1.4571 stainless steel Insulator: PVDF Gaskets: FKM (Viton)
Temperature detector:	NTC 30 k Ω
Temperature:	Medium: -20 ... +120 °C; Environment: -25 ... +80 °C
Pressure:	Max. 25 bar (-20 ... +70 °C); max. 10 bar (120 °C)
Process adaptation:	G 1" thread
Sensor connector:	Memosens
Explosion protection:	Ex II 1 G Ex ia IIC T3/T4/T6 Ex II 3 G Ex ic IIC T3/T4/T6 Gc

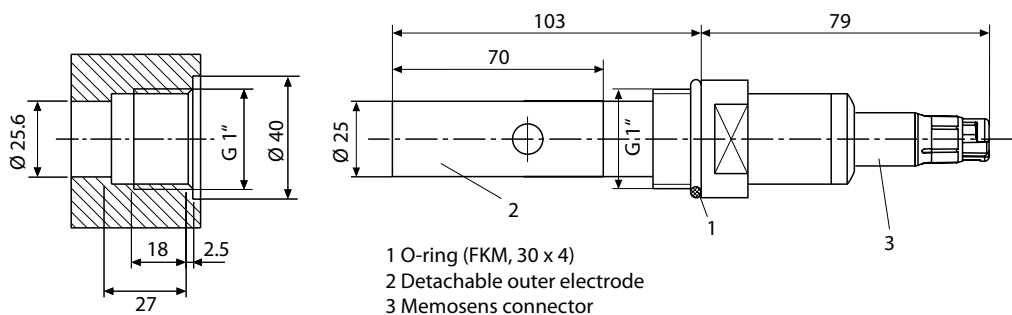
Pressure/Temperature Diagram



Product Range		Order No.
SE 604 conductivity sensor	G 1"	SE 604-MS
SE 604 X conductivity sensor	G 1" Ex	SE 604X-MS
Accessories		Order No.
Memosens cable	3 m	CA/MS-003NAA
	5 m	CA/MS-005NAA
	10 m	CA/MS-010NAA
	20 m ^{*)}	CA/MS-020NAA
Memosens cable, Ex	3 m	CA/MS-003XAA
	5 m	CA/MS-005XAA
	10 m	CA/MS-010XAA
	20 m ^{*)}	CA/MS-020XAA
6-hole flange		ZU 0278
Conductivity standard	KCl 300 ml 15 µS/cm ± 1 %	ZU 0350
	KCl 500 ml 147 µS/cm ± 1 %	ZU 0702
MemoSuite		Order No.
Management software for Memosens sensors	Basic version (calibration)	SW-MS1400-B
	Advanced version (calibration, diagnostics, documentation)	SW-MS1400-A

^{*)} Greater lengths on request

Dimension Drawing



Installation conditions

All dimensions in mm

SE 604 Memosens Conductivity Sensor

Accessories / Specifications

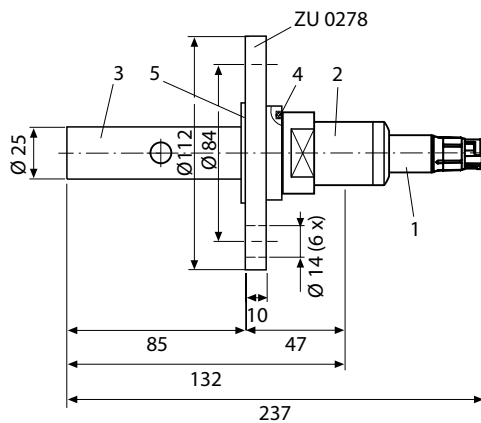
Flange (6-hole)

ZU 0278



Material:	Stainless steel, 1.4571
Accessories:	6 bolts, washers, nuts, M 12, 1.4571 stainless steel
Pressure:	Max. 10 bar
Temperature:	Max. 120 °C
Sensor locations:	1 x G 1"
Sensors:	SE 604

Dimension drawing: SE 604 Memosens with ZU 0278 flange



- 1 Memosens connection
- 2 Sensor body
- 3 Detachable outer electrode
- 4 O-ring (FKM, 30 x 4)
- 5 Flat gasket