



SE 605 H Memosens Conductivity Sensor

Robust 2-electrode sensor, for precise and reliable measurement of low and very low conductivities, particularly in ultrapure water, digital, with Memosens technology



Robust, coaxially arranged electrodes made of stainless steel. Large measuring range from ultrapure water to 600 $\mu\text{S}/\text{cm}$. Integrated temperature detector for temperature compensation. Easy to clean thanks to replaceable outer and inner electrode.

Applications

Ultrapure water, WFI (water for injection), pharmaceutical and food industry, biotechnology

Facts and Features

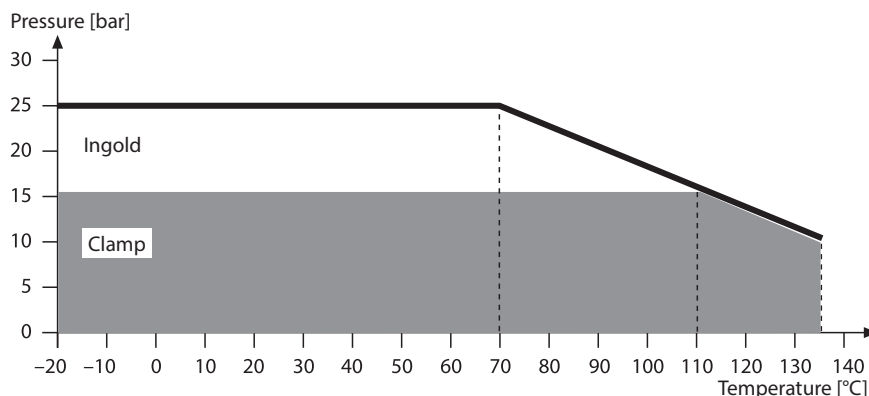
- Perfect galvanic isolation thanks to Memosens technology
- Digital data transfer
- Integrated sensor diagnostics

- Large measuring range from ultrapure water to 600 $\mu\text{S}/\text{cm}$
- Hygienic design
- Electropolished – roughness < 0.4 or $< 0.8 \mu\text{m}$, resp.
- FDA-certified materials
- Coaxially arranged electrodes
- Independent of installation conditions
- Integrated temperature detector
- High level of process safety due to durable materials and robust design
- Easy to clean thanks to replaceable outer and inner electrode
- Particularly suitable for monitoring ultrapure water in power plants
- Replaceable gaskets

Specifications

Cell constant:	0.021/cm
Measuring range:	0.001 ... 600 $\mu\text{S}/\text{cm}$
Accuracy:	2 % meas. value up to 500 $\mu\text{S}/\text{cm}$
Process-wetted materials:	1.4435 stainless steel; insulator: PEEK; gaskets: EPDM
Temperature detector:	NTC 30 k Ω (reduced accuracy above 100 °C)
Temperature:	Medium: -20 ... +135 °C Environment: -25 ... +80 °C
Pressure, Ingold:	-1 ... 25 bar (-20 ... +70 °C), -1 ... 10 bar (135 °C)
Pressure, Clamp:	-1 ... 16 bar (-10 ... +110 °C), -1 ... 10 bar (135 °C)
Process adaptation:	See product range
Sensor connector:	Memosens
ATEX marking:	II 1 G Ex ia IIC T3/T4/T6 Ga

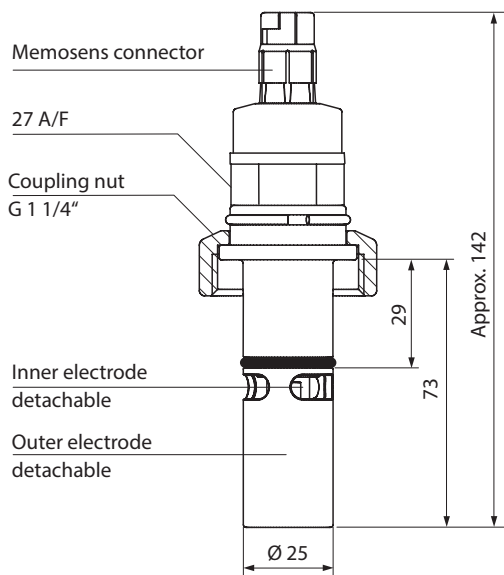
Pressure/Temperature Diagram



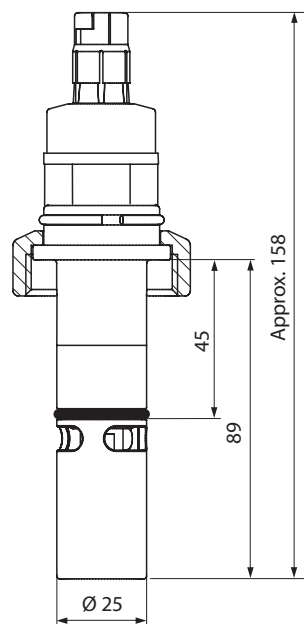
SE 605 H Memosens Conductivity Sensor

Dimension Drawing

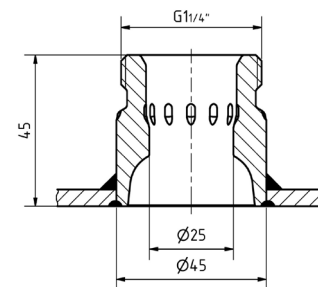
Ingold socket process adaptation, e.g., 40 mm (H0)



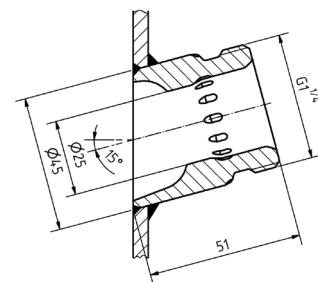
Ingold socket process adaptation, e.g., 50 mm (HZ)



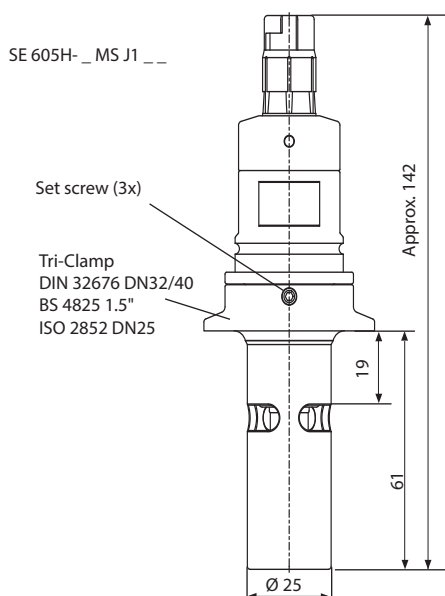
Weld-in socket, straight ZU 0922



Weld-in socket, beveled 15° ZU 0923



Clamp process adaptation



Note: These weld-in sockets are only suitable for sensors with design version H0. Further weld-in sockets are available on request.

SE 605 H Memosens Conductivity Sensor

		Order No.								
		SE 605H - <input type="checkbox"/> <input type="checkbox"/> <input type="checkbox"/> <input type="checkbox"/> <input type="checkbox"/> / <input type="checkbox"/> <input type="checkbox"/> <input type="checkbox"/>								
Explosion protection	Without ATEX	N								
		X								
Sensor connector	Memosens		MS							
Process adaptation	Ingold socket, 25 mm (G 1 1/4"), 29-mm groove			H	0					
	Ingold socket, 25 mm (G 1 1/4"), 45-mm groove			H	Z					
	Clamp 1 1/2"			J	1					
Gasket material	FKM FDA					F				
	EPDM FDA					E				
	FFKM FDA					H				
	FKM FDA USP VI					V				
	EPDM FDA USP VI					U				
	FFKM FDA USP VI					W				
Certificates	Without									0
	Inspection Certificate 3.1 according to EN 10204									3
	FDA - USP VI									U
	FDA									F
	Surface Ra < 0.4 µm									4
Surface Ra < 0.8 µm									8	

SE 605 H Memosens Conductivity Sensor

SE 605 H Memosens Conductivity Sensor

Accessories				Order No.	
Memosens cable				3 m	CA/MS-003NAA
				5 m	CA/MS-005NAA
				10 m	CA/MS-010NAA
				20 m*	CA/MS-020NAA
Memosens cable, Ex				3 m	CA/MS-003XAA
				5 m	CA/MS-005XAA
				10 m	CA/MS-010XAA
				20 m*	CA/MS-020XAA
Conductivity standard	KCl	250 ml	1.3 µS/cm	CS-C13K/250	
	KCl	500 ml	15 µS/cm	CS-C15K/500	
	KCl	500 ml	147 µS/cm	CS-C147K/500	
Weld-in socket, straight, 40 mm	For tank wall			ZU 0717	
	For pipe, DN 50			ZU 0717/DN50	
	For pipe, DN 65			ZU 0717/DN65	
	For pipe, DN 80			ZU 0717/DN80	
	For pipe, DN 100			ZU 0717/DN100	
Weld-in socket, beveled, 15°, 40 mm	For tank wall			ZU 0718	
	For pipe, DN 50			ZU 0718/DN50	
	For pipe, DN 65			ZU 0718/DN65	
	For pipe, DN 80			ZU 0718/DN80	
	For pipe, DN 100			ZU 0718/DN100	
Weld-in socket with HSD safety function (Handling Safety Design), straight, 40 mm	For tank wall			ZU 0922	
	For pipe, DN 50			ZU 0922/DN50	
	For pipe, DN 65			ZU 0922/DN65	
	For pipe, DN 80			ZU 0922/DN80	
	For pipe, DN 100			ZU 0922/DN100	
Weld-in socket with HSD safety function (Handling Safety Design), beveled, 15°, 40 mm	For tank wall			ZU 0923	
	For pipe, DN 50			ZU 0923/DN50	
	For pipe, DN 65			ZU 0923/DN65	
	For pipe, DN 80			ZU 0923/DN80	
	For pipe, DN 100			ZU 0923/DN100	
MemoSuite				Order No.	
Management software for Memosens sensors	Basic version (calibration)			SW-MS1400-B	
	Advanced version (calibration, diagnostics, documentation)			SW-MS1400-A	

* Greater lengths on request