

Chem

Energy

Water

DIGITAL



SE 670 Toroidal Conductivity Sensor

Competitively priced digital sensor for measuring low to very high conductivity values, insensitive to contamination and corrosion

Universal conductivity sensor with large measuring range for moderate chemical stress. With integrated, extremely fast temperature detector.

Applications

Fresh water and wastewater treatment, electroplating, photographic processes, air conditions, cooling tower monitoring, in-company wastewater treatment plants, monitoring of salts, alkaline solutions, and conductivity, tanneries, caustic treatment, washers, automotive engineering, rinsing processes

Facts

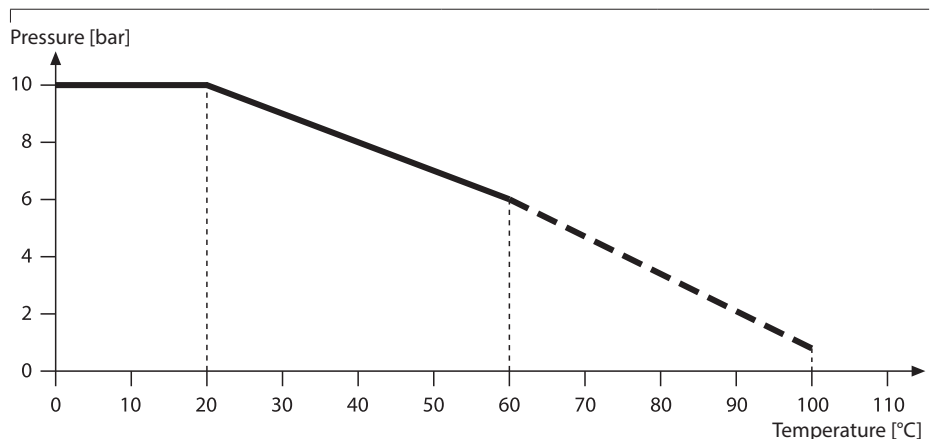
- Digital data transfer
- Cable length up to 100 m
- Competitively priced
- Compact design
- No process-wetted electrodes
- Large measuring range
- Quick-reacting temperature detector
- Insensitive to deposits and contaminations

Specifications

Cell factor*):	Approx. 6.4/cm
Measuring range:	0.02 to 2000 mS/cm
Accuracy:	≤ 1 %
Material:	PP (polypropylene)
Temperature detector:	Pt 1000
Temperature response time:	Quick, using extrapolation with neuronal process
Temperature:	0 ... 60 °C (momentarily 100 °C)
Pressure:	Max. 10 bar at 20 °C, max. 6 bar at 60 °C
Process adaptations:	Coupling nut, G 1 1/2" Dairy pipe screw joint, DN 50 Replacement sensor for installation in ARF 210/215 or ARD 220
Sensor cap:	M12

*) Observe instructions for use (field conditions)

Pressure/Temperature Diagram



Product Range

SE 670 conductivity sensor

Coupling nut G 1 1/2"

Dairy-pipe screw joint DN 50

Replacement sensor for installation in ARF 210/215 or ARD 220

Order No.

SE 670/U1

SE 670/C1

SE 670/G1

Accessories

Digital cable with M12 socket

5 m

10 m

20 m^{*)}

Conductivity standard

KCl 0.1 mol/l 12.88 mS/cm ± 1.5 % 250 ml

Calibration Certificate

Order No.

CA/M12-005NA

CA/M12-010NA

CA/M12-020NA

ZU 0348

ZU 0320

MemoSuite

Management software for
Memosens sensors

Basic version (calibration)

Advanced version (calibration, diagnostics, documentation)

Order No.

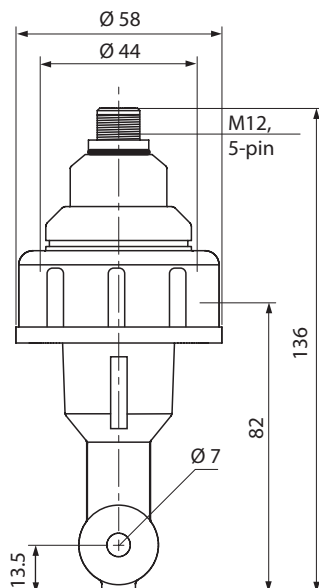
SW-MS1400-B

SW-MS1400-A

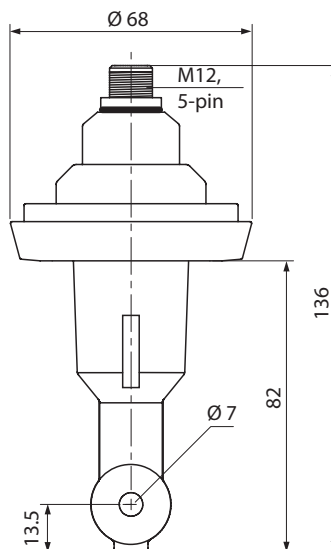
^{*)} Greater lengths on request (max. 100 m)

Dimension Drawings

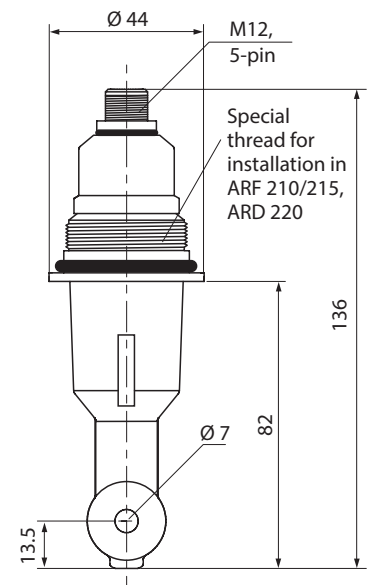
SE 670/U1
Coupling nut G 1 1/2" (PP)



SE 670/C1
Dairy pipe screw joint, DN 50



SE 670/G1
Replacement sensor for installation in
ARF 210/215 or ARD 220



All dimensions in mm