

## ARF 200 / ARF 202 Flow-Through Fitting

### Stainless-steel flow-through fitting with one sensor location

Compact flow-through fitting for one sensor; measurement preferably in bypass. An adapter allows connecting sensors using different mounting techniques. Material: stainless steel. For high pressures and temperatures. Process connections: threaded olive connection (ARF 200) or internal G1/4" thread (ARF 202)

#### Applications

pH, conductivity, and dissolved-oxygen measurement in ultrapure water, slightly polluted water, cooling water,

drinking water, boiler feed water for trace-oxygen measurement

#### Facts

- 1.457 stainless steel
- for sensors with G 1" connection
- with adapter for sensors with Pg 13.5 connection
- with adapter for fittings with G1 1/4" Ingold socket
- direction of flow 90°
- process connection via
  - threaded olive connection (ARF 200)
  - or internal G1/4" thread (ARF 202)

#### Product Line

ARF 200 Flow-Through Fitting

G 1"; 1.4571 steel, threaded olive connect.  
 G 1"; 1.4571 steel, G 1/4" internal thread  
 G 1"; Hastelloy C4, G 1/4" internal thread

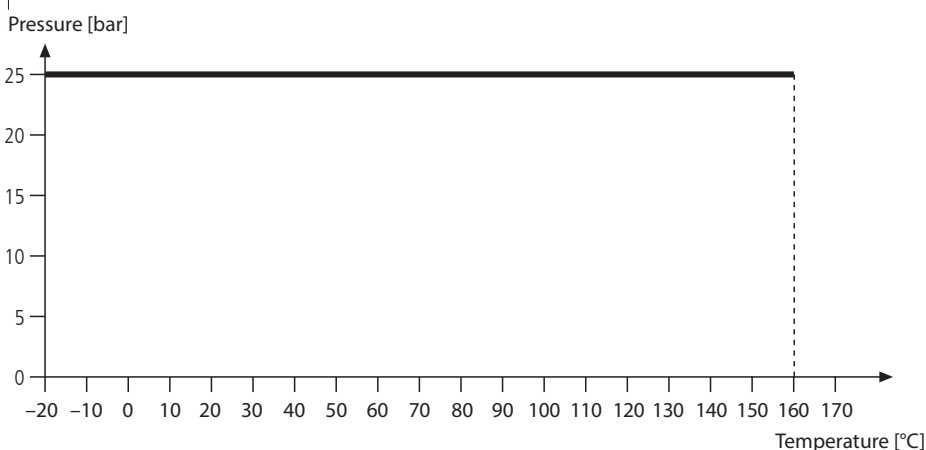
#### Order No.

**ARF 200**  
**ARF 202**  
**ARF 202/HC4**

#### Specifications

Material:	stainless steel 1.4571 (ARF 200/202)/ Hastelloy C4 (ARF 202/HC4)
Pressure:	max. 25 bars
Temperature:	-20 ... +160 °C
Process connection:	<b>ARF 200:</b> threaded olive connection (Serto) for pipe 10 x 1 (gasket in 90° coupling: O-ring, FKM [Viton], 11.1 x 1.78) <b>ARF 202:</b> G 1/4" internal thread
Sensor locations:	1 x G 1" 1 x Pg 13.5 with ZU 0547 adapter 1 x G 1 1/4" with ZU 0667 adapter
Sensors:	cond: SE 604, SE 630 pH/oxy: diameter 12 mm, length 120 mm

#### Pressure/Temperature Diagram



**Modular System**

This flow-through fitting is available in 2 different versions. There are adapters for 12-mm sensors and fittings with Ingold socket.



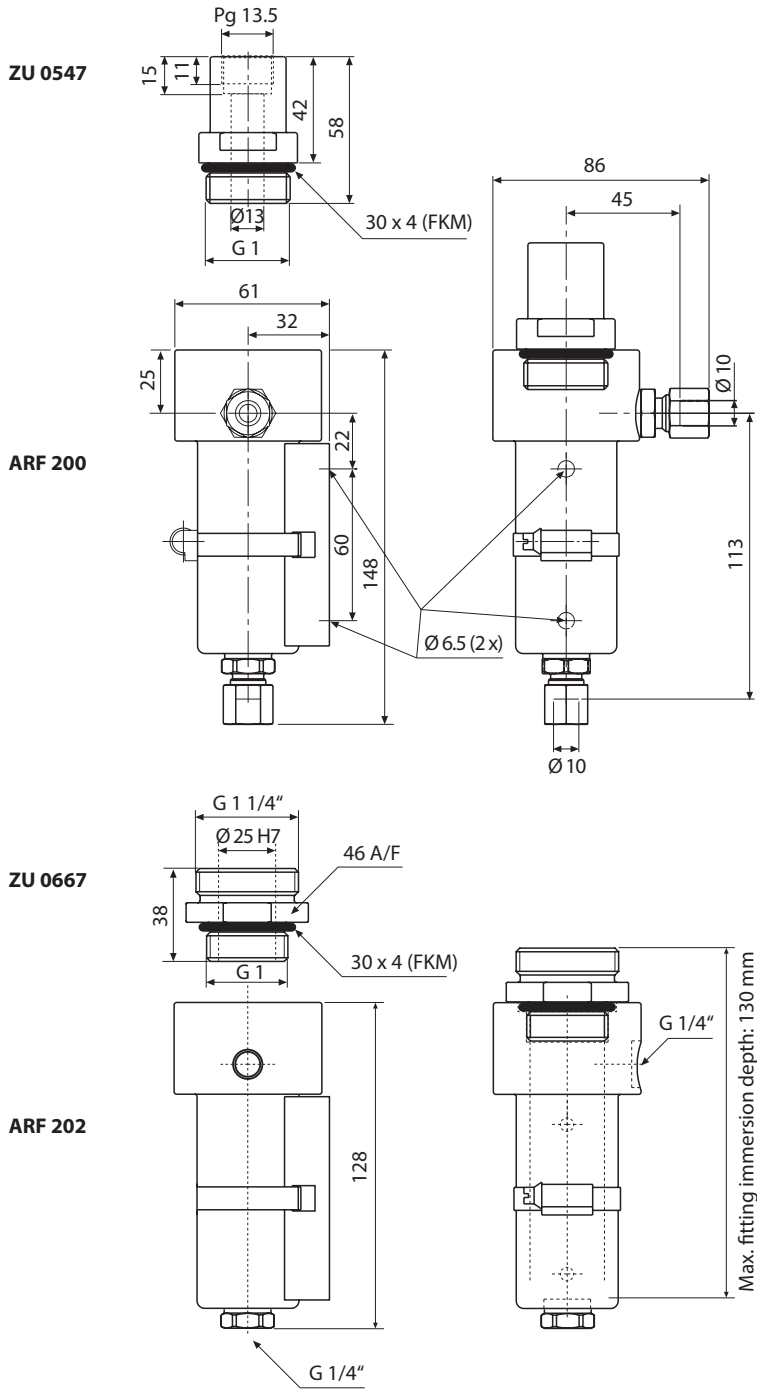
# Flow-Through Fittings

Energy

Water

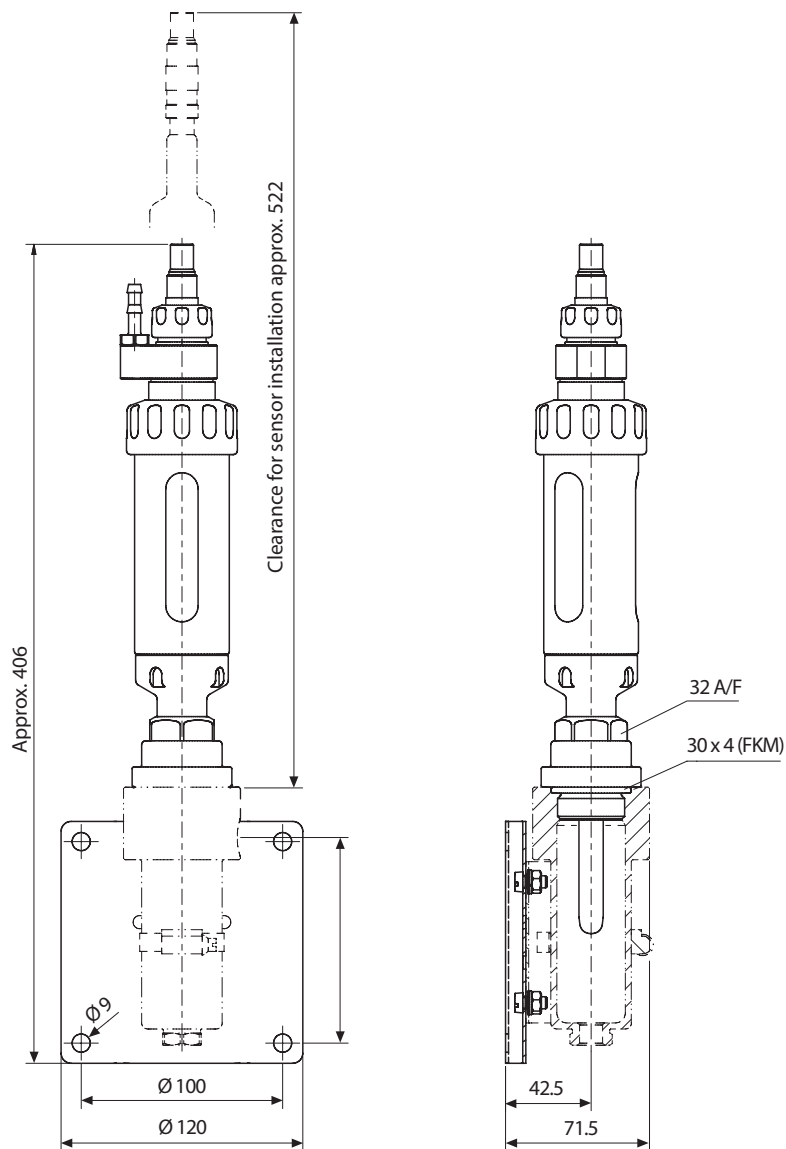
## ARF 200 / ARF 202 Flow-Through Fitting

### Dimension Drawings



**Dimension Drawings** – continued

**Adapter for sensors with liquid electrolyte (ZU 0783)**



# Flow-Through Fittings

Energy

Water

## ARF 200 / ARF 202 Flow-Through Fitting

Accessories			Order No.
Adapter	for sensors	with Pg 13.5 material: 1.4571 stainless steel gasket: EPDM 30 x 4	<b>ZU 0547</b>
	for sensors	with liquid electrolyte e.g. SE 551/1 material: 1.4571 stainless steel gasket: FKM 30 x 4	<b>ZU 0783</b>
	for fittings	with G 1 1/4" connection material: 1.4571 stainless steel gasket: FKM 30 x 4	<b>ZU 0667</b>
Material test certificate 3.2	for ARF 202 (Hastelloy) C4		<b>ZU 0823</b>