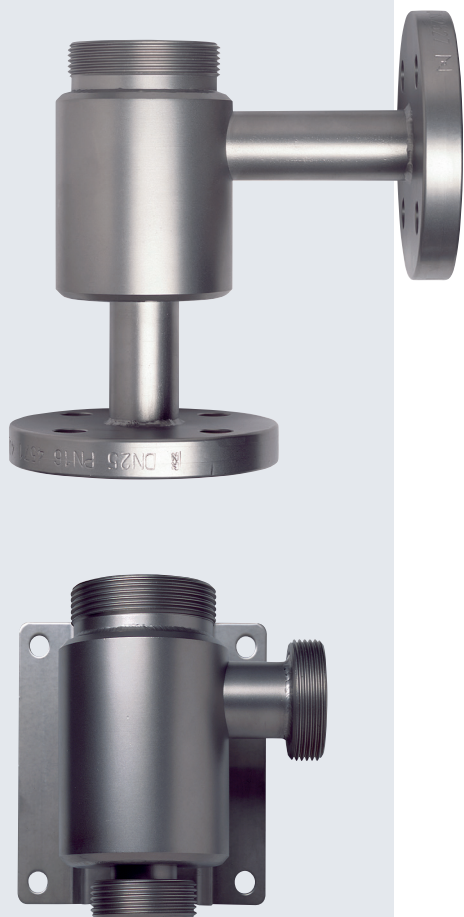


Chem

Water



ARF 210 Flow-Through Fitting

Highly variable flow-through fitting made of stainless steel

Modular, versatile system design with different connection geometries and process connections. For measurements in main stream or bypass. Material: stainless steel, also for high temperatures/ pressures. Adapter for a broad variety of sensors for pH, ORP, temperature, contacting and noncontacting conductivity, as well as dissolved oxygen. Its tightness makes it suitable for measurement of oxygen traces.

Protective cap with integrated electrolyte reservoir for refillable pH sensors with liquid filling. Simplified calibration for pH and conductivity due to special calibration beaker with correct consideration of fitting geometry and material. A large flow cross-section and integrated cleaning nozzles also make it suitable for polluted media.

Applications

Ultrapure water, drinking water, industrial water, and cooling water. Process media with higher temperature and pressure values. Measurement of oxygen traces

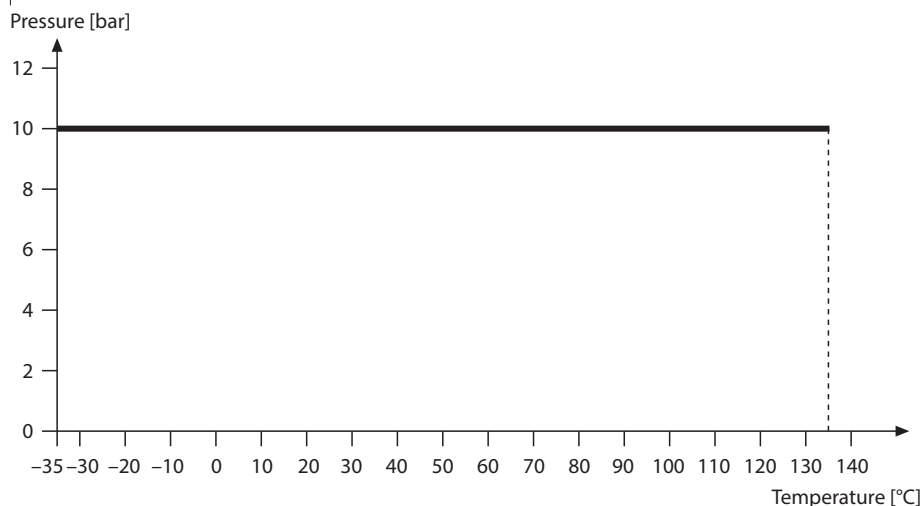
Facts

- modular system
- adaptable to virtually every process due to different
 - sensor adapters
 - process connections
- material: stainless steel, 1.4571
- measurement in main stream or bypass
- cleaning system

Specifications

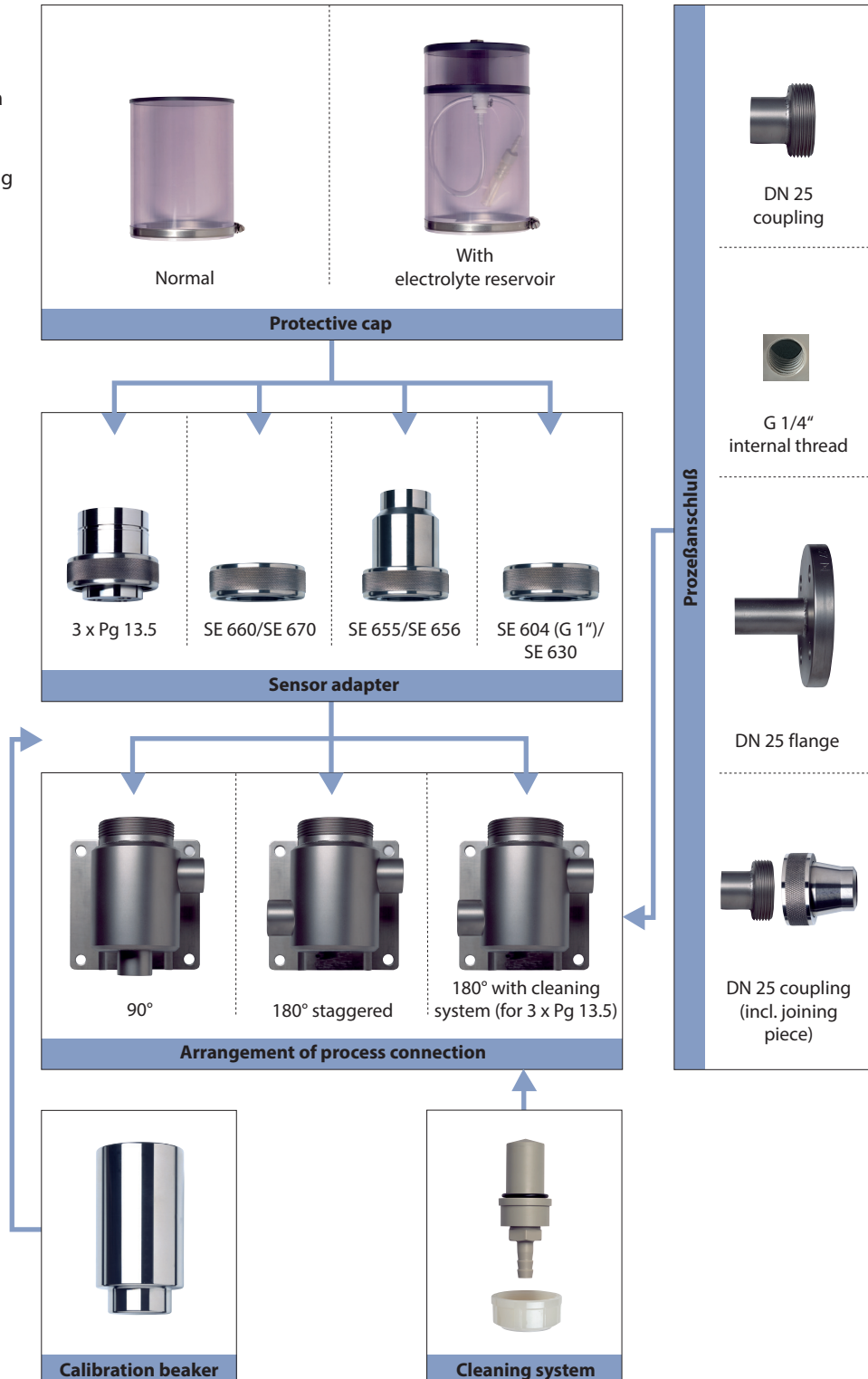
Material:	1.4571
Process connection:	see product line (page 194)
Pressure:	max. 10 bars
Temperature:	-35 ... +135 °C
Sensor adapter:	see product line (page 194)

Pressure/Temperature Diagram



Modular System

This flow-through fitting is available with 3 different process connections. Different protective caps, a calibration beaker, sensor adapters, process connections, and a cleaning system complete this modular system.



Flow-Through Fittings

Chem

Water

ARF 210 Flow-Through Fitting

Product Line

Order No.

		ARF 210 /	<input type="checkbox"/>	<input type="checkbox"/>	<input type="checkbox"/>	<input type="checkbox"/>	<input type="checkbox"/>	<input type="checkbox"/>
Material	1.4571	3						
Sensor adapter	3 x Pg 13.5	1						
	SE 660	3						
	SE 655 (X)/SE 656 (X)	4						
	SE 604/SE 630, G 1"	7						
	SE 670/G1	E						
Process connection	DN 25 coupling	1						
	G 1/4"	2						
	DN 25 flange	3						
	DN 25 coupling (incl. joining pieces)	5						
Arrangement of process connection	90°						1	
	180° staggered						2	
	180° with cleaning connection ¹⁾						3	
Protective cap	none							0
	normal							1
	with electrolyte reservoir							2
Calibration beaker	without							0
	with							1
Sealing material	EPDM							1
	FKM (Viton)							2
	FFKM (Kalrez)							3

¹⁾ Only in conjunction with sensor adapter 3 x Pg 13.5

Other versions on request.



Dimension Drawings

