

Chem

Energy

Pharm

Food



ARI 106 (H) Inline Fitting

Inexpensive and robust inline fitting for 12-mm sensors, for chemical processes and hygienic applications

The modular concept allows adaptation to virtually every process. Replacement of components or expansion is possible at any time. Suitable for aggressive chemical processes as well as processes with hygienic requirements. pH sensors with polymeric electrolyte or with refillable, pressurizable electrolyte can be used. Also accepts conductivity and oxygen sensors with 12 mm diameter. For operation in hazardous locations.

Applications

pH, conductivity, or oxygen measurement in chemical processes, in the pharmaceutical or food industry and in biotechnology

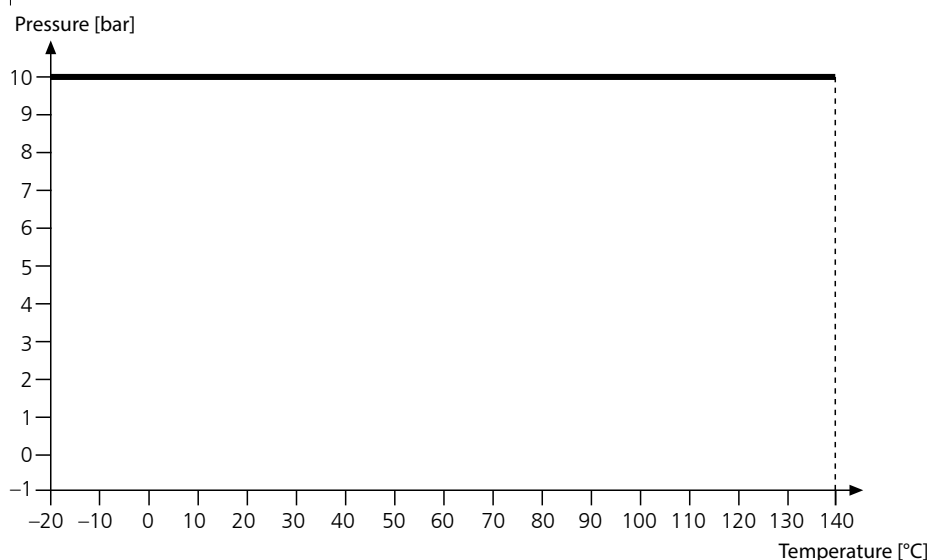
Facts

- adaptable to individual process conditions
- modular design
- material: steel or highly resistant plastic
- suitable for chemical process media
- suitable for hygienic applications
- CIP- and SIP-capable, autoclavable
- for pH sensors with polymeric electrolyte
- for pH sensors with pressurizable liquid electrolyte
- for oxygen or conductivity sensors with Pg 13.5 connection, 120 mm length, and 12 mm diameter
- integrated sensor protection
- suitable for hazardous locations

Specifications

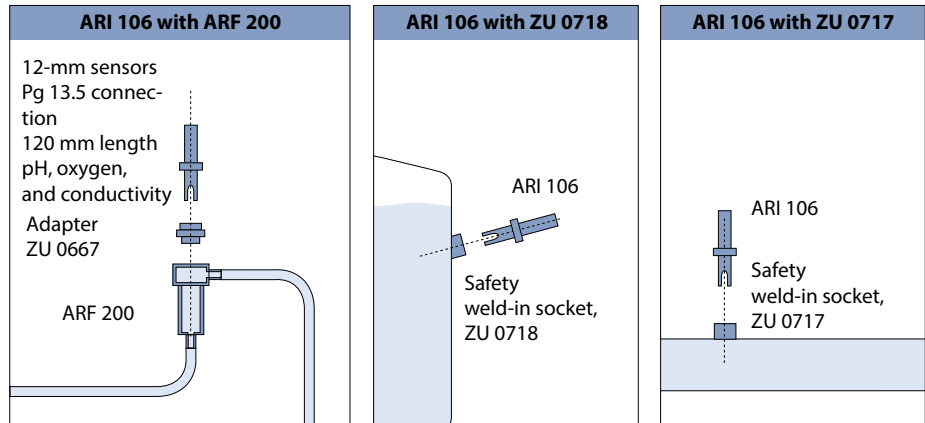
Material:	see product line (page 204)
Process connection:	see product line (page 204)
Pressure:	-1 ... +10 bar
Temperature:	-20 ... +140 °C
Sensors (polymeric electrolyte):	Pg 13.5 diameter: 12 mm length: 120 mm diameter: 12 mm
Sensors (liquid electrolyte):	length: 120 mm e.g. SE 551/1 or SE 551/1-NMSN

Pressure/Temperature Diagram



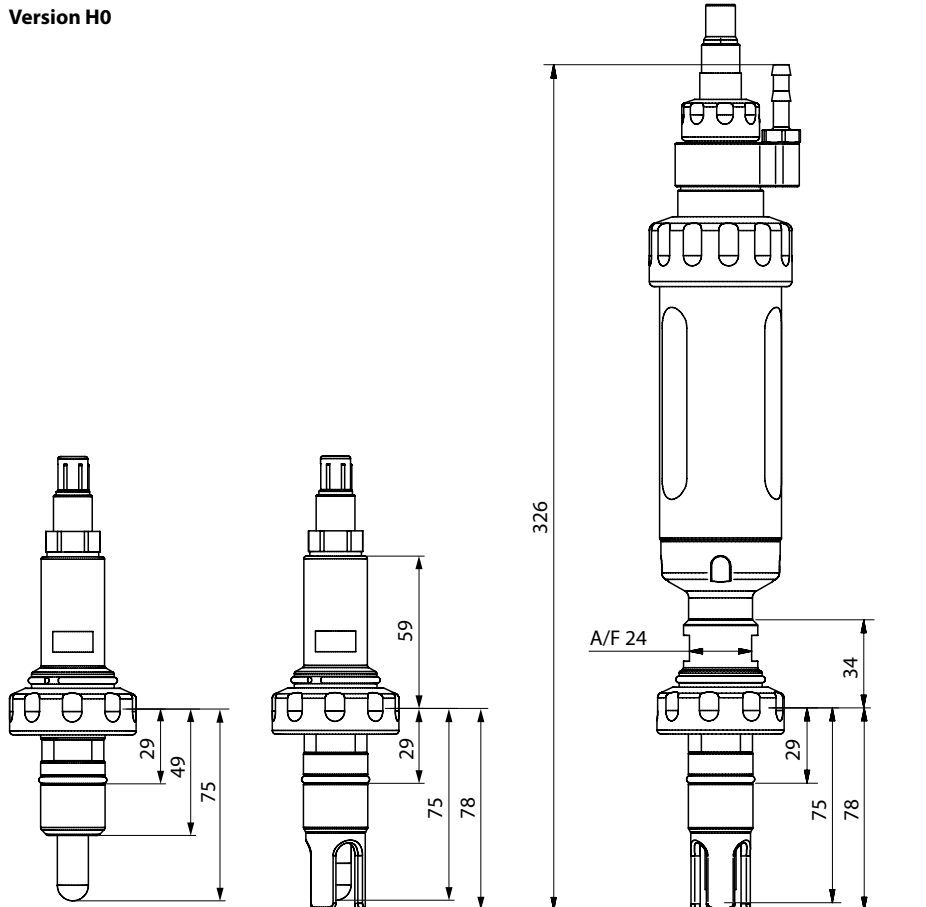
Modular System

Various process connections are available for this inline fitting.

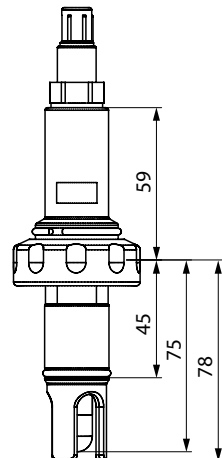


Dimension Drawings

Version H0



Version HZ



All dimensions in mm

Inline Fittings

Chem

Energy

Pharm

Food

ARI 106 Inline Fitting

Product Line

Order No.

Inline fitting for chemical processes		ARI 106 / N	<input type="checkbox"/>	<input type="checkbox"/>	<input type="checkbox"/>	<input type="checkbox"/>	<input type="checkbox"/>	<input type="checkbox"/>	<input type="checkbox"/>	-	<input type="checkbox"/>	<input type="checkbox"/>	<input type="checkbox"/>
Sensor	solid electrolyte	0											
	liquid electrolyte (pressurization possible)	1											
Gasket material	elastomeric ring set A, FKM	A											
	elastomeric ring set B, EPDM	B											
	elastomeric ring set K, FFKM	K											
	elastomeric ring set T, silicone	T											
Process-wetted materials	PEEK / 1.4404				C								
	1.4435 / 1.4404				H								
	PVDF / 1.4404				G								
	PVDF / PVDF	0			D								
	PP-H / 1.4404				I								
	PP-H / PP-H	0			K								
	Ti / 1.4404				T								
C22 / 1.4404				B									
Process adaptation	Ingold socket 25 mm (G 1 1/4"), 29.0 mm groove					H	0						
	Ingold socket 25 mm (G 1 1/4"), 45.0 mm groove					H	Z						
Immersion depth	78 mm							A					
Probe guard	without								A				
	with								B				
Special variant	none										0	0	0

ARI 106 (H) Inline Fitting

Product Line		Order No.										
Hygienic inline fitting		ARI 106H / N □ □ □ □ □ □ □ □ - □ □ □ □										
Sensor	solid electrolyte	0										
	liquid electrolyte (pressurization possible)	1										
Gasket material	elastomeric ring set F, FKM FDA			F								
	elastomeric ring set E, EPDM FDA			E								
	elastomeric ring set H, FFKM FDA			H								
	elastomeric ring set V, FKM FDA USP VI			V								
	elastomeric ring set U, EPDM FDA USP VI			U								
	elastomeric ring set W, FFKM FDA USP VI			W								
	elastomeric ring set T, silicone FDA			T								
Process-wetted materials	PEEK / 1.4404											
	1.4435 / 1.4404											
	1.4539 / 1.4404											
	PVDF / 1.4404											
	PVDF / PVDF	0		C	H							
Process adaptation	Ingold socket 25 mm (G 1 1/4"), 29.0 mm groove			H 0								
	Ingold socket 25 mm (G 1 1/4"), 45.0 mm groove			H Z								
Immersion depth	78 mm					A						
Probe guard	without					A						
	with					B						
Special variant	none							0	0	0		

Accessories

Accessories			Order No.
Safety weld-in socket G 1 1/4" straight,	for tank wall	1.4435	ZU 0717
	for pipe DN 50	1.4435	ZU 0717/DN50
	for pipe DN 65	1.4435	ZU 0717/DN65
	for pipe DN 80	1.4435	ZU 0717/DN80
	for pipe DN 100	1.4435	ZU 0717/DN100
Safety weld-in socket G 1 1/4" beveled	for tank wall	1.4435	ZU 0718
	for pipe DN 50	1.4435	ZU 0718/DN50
	for pipe DN 65	1.4435	ZU 0718/DN65
	for pipe DN 80	1.4435	ZU 0718/DN80
	for pipe DN 100	1.4435	ZU 0718/DN100
	for tank wall	Hastelloy C22	ZU 0718/C22