

## HIGH-PRESSURE CALIBRATOR

MEDIUM: HYDRAULIC OIL / UP TO 700 BAR

KELLER pressure calibrators are highly accurate calibration instruments which are available for the following pressure ranges: -0,85...10 bar (LPX), -0,85...25 bar (MPX) or 0...700 bar (HPX) (special measurement ranges are available on request).

The high-pressure calibrator (HPX) is used to generate pressure in order to check and calibrate mechanical and electronic pressure measurement devices with the help of comparative measurements.

The pressure generator is accommodated together with the pressure display in a functional housing. The pressure on a test object that is fitted to the calibrator can be built up quickly, and tracking is made easy thanks to the integrated display.

Test objects with a G 1/4" thread can be connected directly to the pressure port for the test object. The pressure is built up and adjusted precisely via a screw compressor that is integrated in the device (medium: hydraulic oil).

Measurement work is made easier by a wide range of functions, such as setting any desired pressure zero point, display of peak and trough pressure values, or leak measurements.

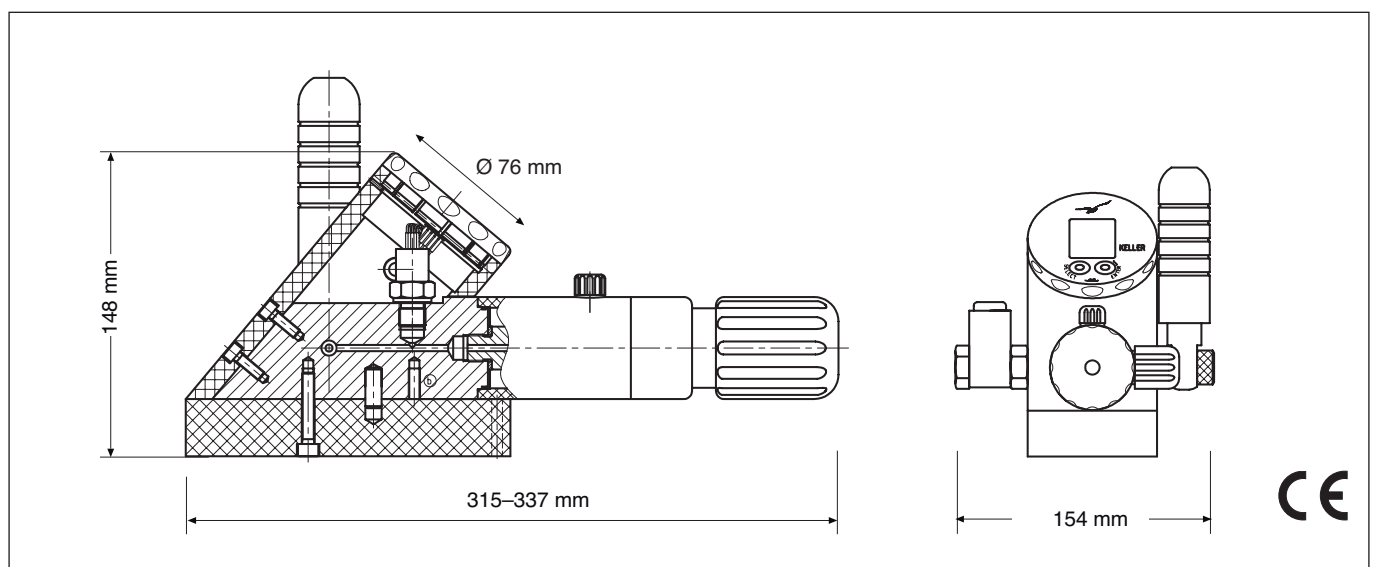
Furthermore, the applied pressure can be displayed directly on a computer via the integrated interface (USB converter), after which it can be saved and processed or managed in any desired manner.

The calibrator, including accessories, is supplied in a durable carrying case, making it ideal for assignments in the field.

- Measurement accuracy: < 0,05% of the full pressure range
- Measurement interval: 0,5 seconds
- Pressure generation by means of hydraulic oil
- Battery-powered (normal commercially available button-cell battery)
- Battery lifetime: > 2000 h in continuous operation
- USB interface converter: included in the scope of delivery
- Ambient characteristics: 0...50 °C / 5...95% relative air humidity
- CE compliant / RoHS compliant



**Ti Techingenium**  
 Distribuidores autorizados para Uruguay  
 Venta - Ingeniería - Instalación - Mantenimiento  
 Dirección Jaime Zúñiga 2516  
 Teléfono: 2711 09 88  
 Montevideo Uruguay  
 Mail: info@techingenium.com.uy  
 www.techingenium.com.uy



Subject to changes

10/2012

KELLER AG für Druckmesstechnik  
 KELLER Ges. für Druckmesstechnik mbH

St. Gallerstrasse 119  
 Schwarzwaldstrasse 17

CH-8404 Winterthur  
 D-79798 Jestetten

Tel. +41 (0)52 - 235 25 25  
 Tel. +49 (0)7745 - 9214 - 0

Fax +41 (0)52 - 235 25 00  
 Fax +49 (0)7745 - 9214 - 60



# KELLER

## Specifications

Pressure range (FS)	0...700 bar (others on request)
Resolution	50 mbar
Overpressure	840 bar
Accuracy, error band <sup>(1)</sup> (10...40 °C)	< 0,05 %FS
Accuracy, error band <sup>(1)</sup> (0...50 °C)	< 0,1 %FS
Measurement interval	0,5 seconds

<sup>(1)</sup> including accuracy, temperature coefficients, zero point and range tolerance

## Electrical characteristics

Power supply	3 V battery, type CR2430
Battery lifetime	> 2000 h in continuous operation

## Ambient characteristics

Operating temperature	0...50 °C
Compensated range	0...50 °C
Storage temperature	-10...60 °C
Humidity	5...95% relative air humidity

## Mechanical characteristics

Calibrator housing	Polyamide 12
Weight	approx. 4 kg
Pressure port	Serto and various adapters
Degree of protection	IP 65
Hydraulic oil	Type HLP 22 BP

**Ti Techingenium**  
 Distribuidores autorizados para Uruguay  
 Venta - Ingeniería - Instalación - Mantenimiento  
 Dirección Jaime Zúñiga 2516  
 Teléfono: 2711 09 88  
 Montevideo Uruguay  
 Mail: info@techingenium.com.uy  
 www.techingenium.com.uy

## Scope of delivery for high-pressure calibrator (HPX)

- Calibrator (including oil filling)
- Carrying case
- Spare battery, type CR2430 (3,0 V)
- Test object adapter G 1/4"-G 3/8"
- Test object adapter G 1/4"-G 1/2"
- Allen key(s)
- USB interface converter, K-114A
- KELLER software CD
- Test record (5 points)
- Operating instructions



Subject to changes

10/2012

KELLER AG für Druckmesstechnik  
KELLER Ges. für Druckmesstechnik mbH

St. Gallerstrasse 119  
Schwarzwaldstrasse 17

CH-8404 Winterthur  
D-79798 Jestetten

Tel. +41 (0)52 - 235 25 25  
Tel. +49 (0)7745 - 9214 - 0

Fax +41 (0)52 - 235 25 00  
Fax +49 (0)7745 - 9214 - 60

This company is certified compliant with ISO 9001

www.keller-druck.com